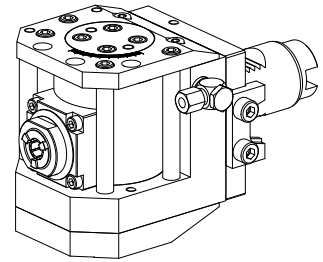


## Drilling unit VDI 40 1:1 ER16, 90°

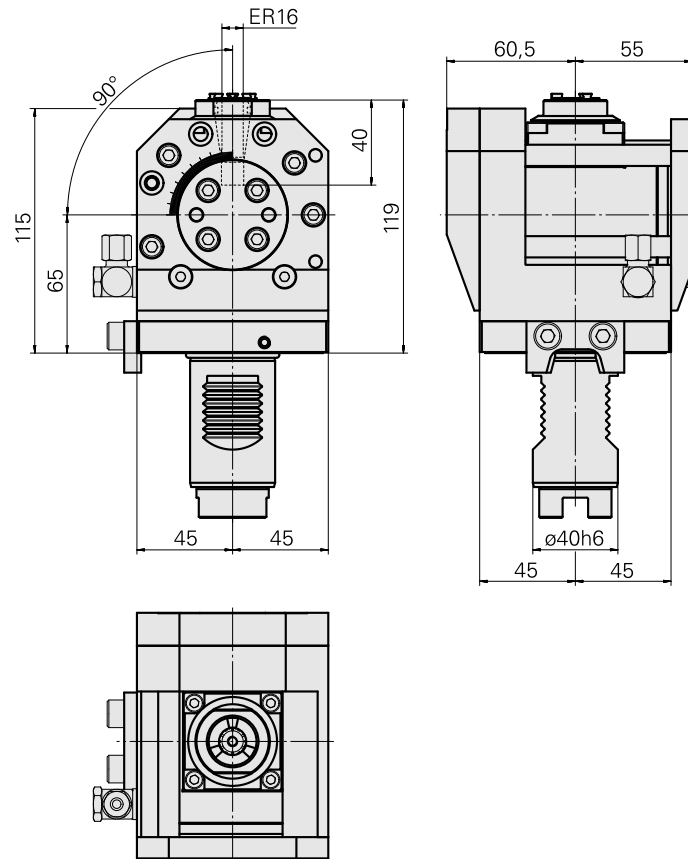
### Technical data

<b>Shank VDI</b>	VDI 40
<b>Drive</b>	Dog clutch
<b>Fixation VDI</b>	Vee bar
<b>Speed ratio</b>	1:1
<b>Cooling</b>	external
<b>Pressure</b>	80 bar
<b>Mounting</b>	ER16
<b>reversible 180°</b>	yes
<b>Direction</b>	same as drive direction
<b>X [mm]</b>	65 (2.56")
<b>Y [mm]</b>	–
<b>Z [mm]</b>	–
<b>INDEX TRAUB products</b>	G400



### Note

Tool holders specially for INDEX G400!



## Documents

No downloads available for this product

## Accessories

Required for operation

### Spanner

Product ID : 11006246

Previous product ID : 490219.3161

TH accessories category Tool	Mounting ER16	Collet type ER 16	Clamping nut type Male thread
Tools for Collet chucks Clamping nut wrench			

## Optional accessories

### Tool holder accessories

### Clamping nut

Product ID : 10911008

Previous product ID : 901939.5161

TH accessories category Clamping nut	Mounting ER16	Collet type ER 16	Clamping nut type Male thread
---	------------------	----------------------	----------------------------------

### Coolant tube, L=100 mm (3.93")

Product ID : 10346684

Previous product ID : W9990559

TH accessories category Cooling lubricant tube	Mounting M6
---	----------------

### Other accessories

---

[Clamping collet](#)

Product ID : 10834596  
Previous product ID : 901930.1---

---

[Clamping collet](#)

Product ID : 10589709  
Previous product ID : W99903--

---

[tapping tool collet ET-1-16](#)

Product ID : 10542491  
Previous product ID : 3230--

---

[tapping tool collet](#)

Product ID : 10865233  
Previous product ID : WZ9990.9506F

---

[Collet chuck](#)

Product ID : 10870393  
Previous product ID : W999065-

---