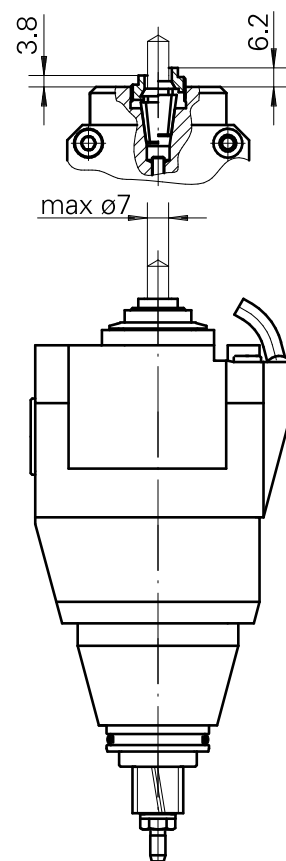
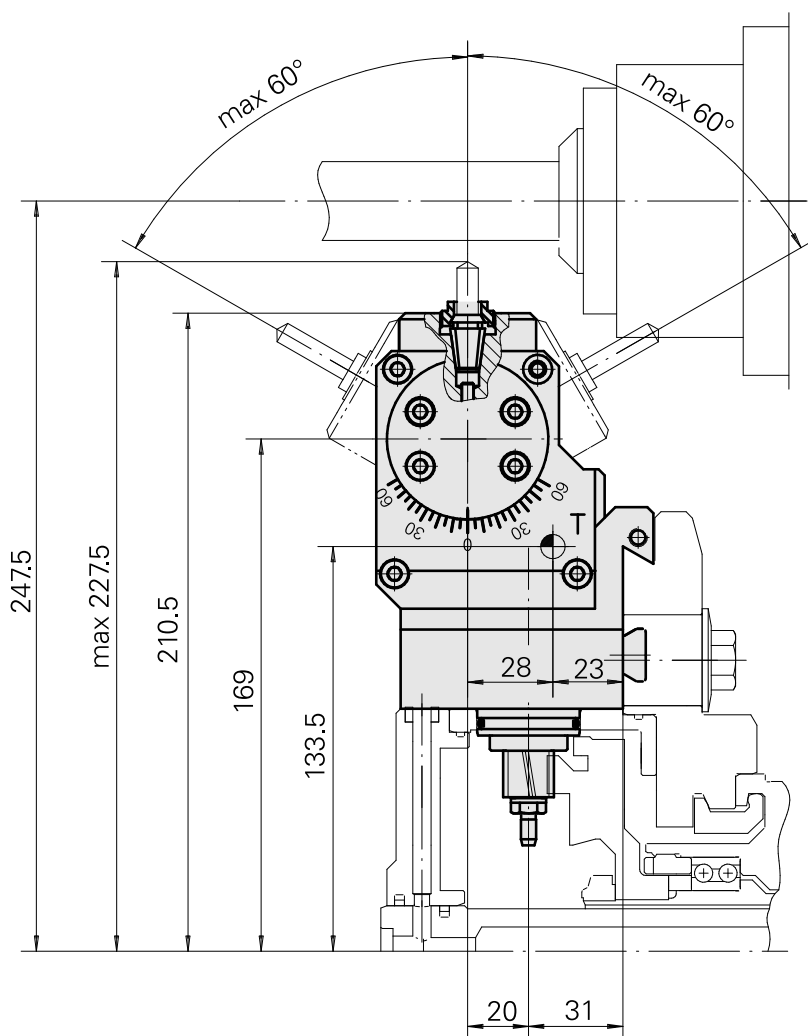
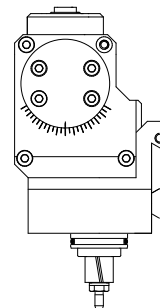


Drilling unit Circular prism 1:1,481 ER1, $\pm 60^\circ$

Technical data

Shank TNL	Circular prism
Drive	Overall drive
Fixation TNL	Central tensioning screw
Speed ratio	1:1,481
Cooling	external
Pressure	30 bar
Mounting	ER11
INDEX TRAUB products	TNK36 • TNL26



Documents

No downloads available for this product

Accessories

Required for operation

[Spanner](#)

Product ID : 10262607

Previous product ID : 490219.3111

TH accessories category Tool	Mounting ER11	Collet type ER 11	Clamping nut type Male thread
Tools for Collet chucks Clamping nut wrench			

Optional accessories

Tool holder accessories

[Clamping nut](#)

Product ID : 10604420

Previous product ID : 901939.5111

TH accessories category Clamping nut	Mounting ER11	Collet type ER 11	Clamping nut type Male thread
---	------------------	----------------------	----------------------------------

Other accessories

[Clamping collet](#)

Product ID : 10086829

Previous product ID : 901930.0---

[tapping tool collet ET-1-12](#)

Product ID : 10001911

Previous product ID : 3239--

11024784
984553

INDEX

[tapping tool collet ER11GB](#)

Product ID : 10285407
Previous product ID : 900288

[Collet chuck](#)

Product ID : 10132309
Previous product ID : W999064-

[Spanner SW 22](#)

Product ID : 10120234
Previous product ID : 986527
