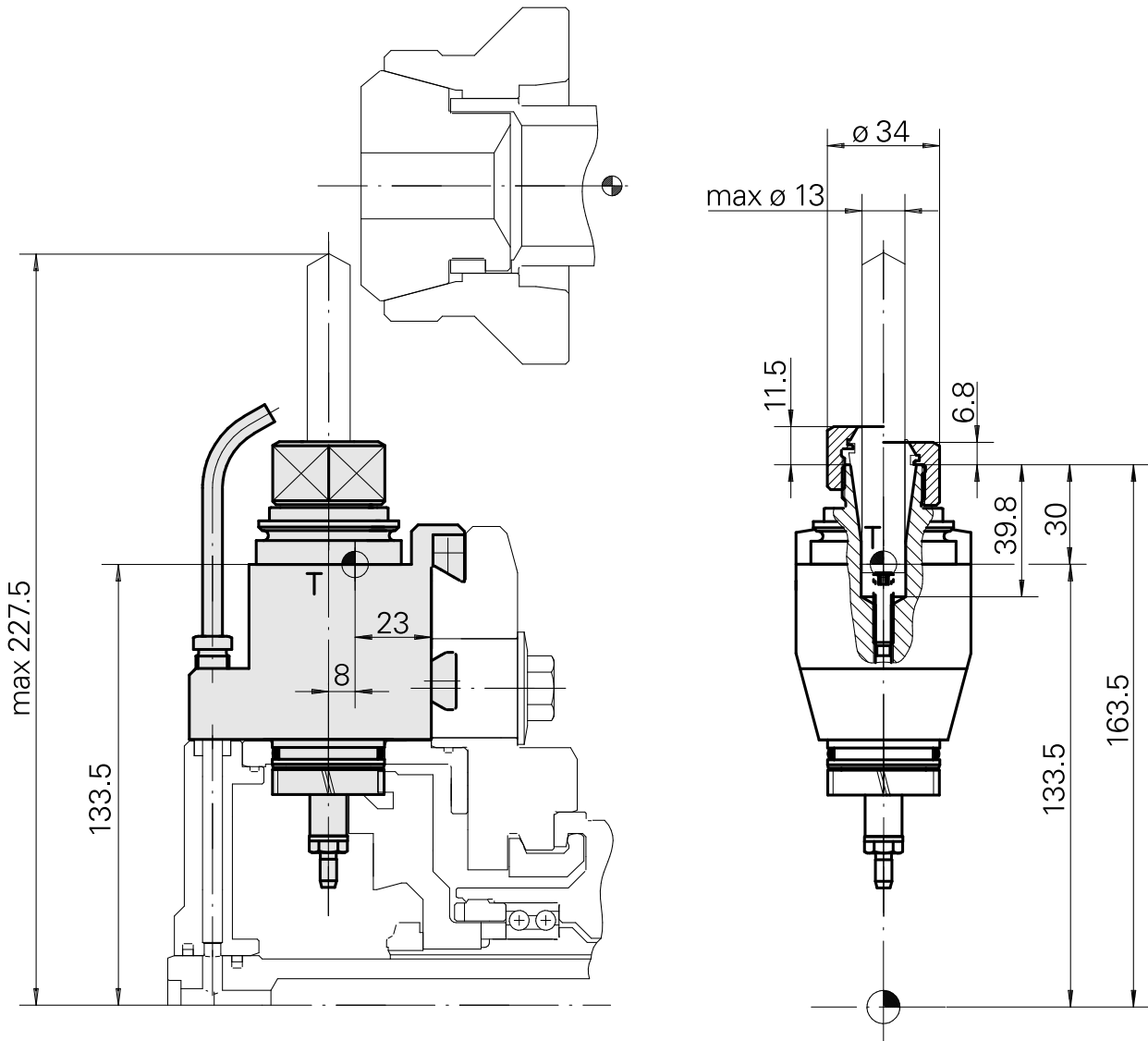
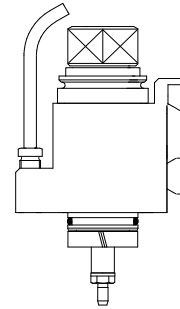


Milling unit Circular prism 2:1 ER20

Technical data

Shank TNL	Circular prism
Drive	Overall drive
Fixation TNL	Central tensioning screw
Speed ratio	2:1
Cooling	external
Pressure	30 bar
Mounting	ER20
INDEX TRAUB products	TNK36 • TNL26



Documents

No downloads available for this product

Accessories

Required for operation

Spanner

Product ID : 10603529

Previous product ID : 490219.0201

TH accessories category Tool	Mounting ER20	Collet type ER 20	Clamping nut type Female thread
Tools for Collet chucks Clamping nut wrench			

Optional accessories

Tool holder accessories

Clamping nut

Product ID : 10137535

Previous product ID : 901939.0201

TH accessories category Clamping nut	Mounting ER20	Collet type ER 20	Clamping nut type Female thread
---	------------------	----------------------	------------------------------------

Other accessories

Clamping collet

Product ID : 10863981

Previous product ID : 901930.2---

tapping tool collet ET-1-20

Product ID : 10418139

Previous product ID : 3234--

11022179
836909

INDEX

Collet chuck

Product ID : 10135002

Previous product ID : W999066-
