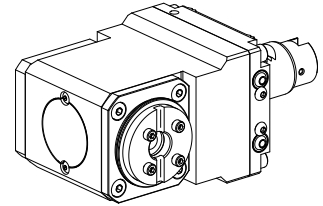


## Milling unit VDI 40 2:1

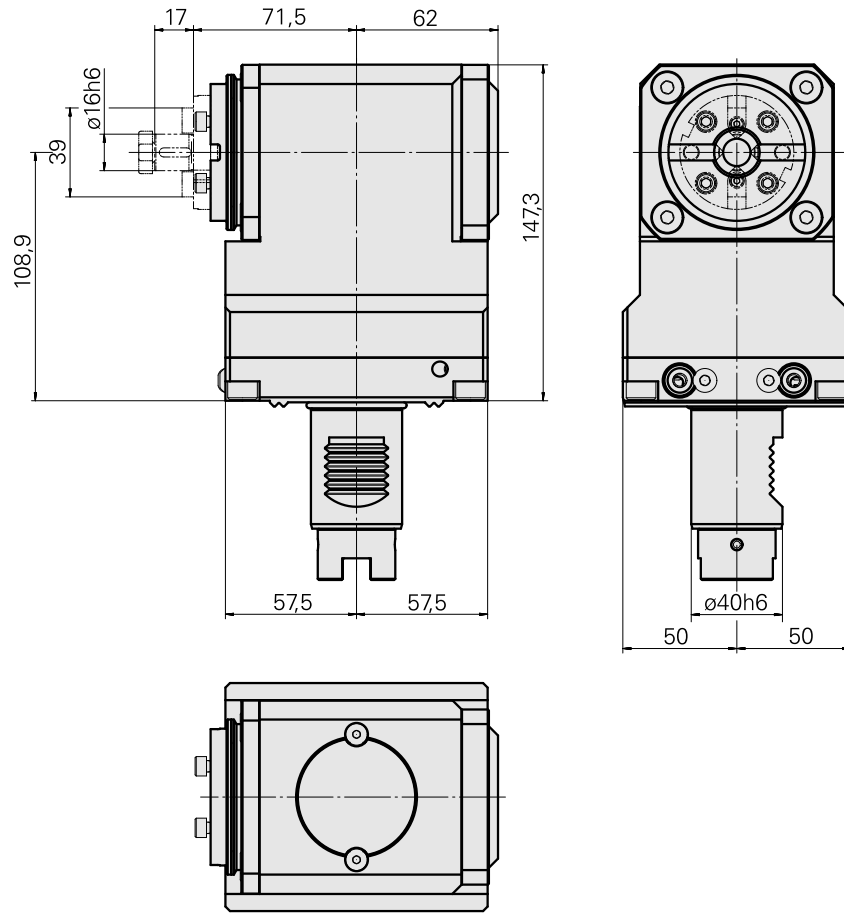
### Technical data

<b>Shank VDI</b>	VDI 40
<b>Drive</b>	Dog clutch
<b>Fixation VDI</b>	W serration
<b>Speed ratio</b>	2:1
<b>Cooling</b>	external
<b>Pressure</b>	20 bar
<b>reversible 180°</b>	no
<b>Direction</b>	opposite to drive direction
<b>X [mm]</b>	110 (4.33")
<b>Y [mm]</b>	–
<b>Z [mm]</b>	64 (2.52)
<b>INDEX TRAUB products</b>	G400



### Note

Tool holders specially for INDEX G400! Tool holder can be used only on the lower turret!



---

## Documents

No downloads available for this product

## Accessories

Required for operation

### [Closure plug](#)

Product ID : 11029296

Previous product ID : W68560.1314

---

## Optional accessories

### Tool holders with VDI shank

#### [Milling cutter holding block Milling sha](#)

Product ID : 10670447

Previous product ID : W9990040

Drive	Mounting	X [mm]	Y [mm]
not live	Milling shaft D13	–	–
Z [mm]	INDEX TRAUB products		
–	A100 • C42/65 • G160 • G300 • G400 • MS32C • MS52C • TNX80 • V100 • V200 • A200-6 • ABC • B400 • C100 • C200 • G200 • G200.2 • G220 • G250 • MS16-6 • MS22-6 • MS22-8 • MS32-6.2 • MS40-6 • MS40-8 • TNX65/42 • V160C • V160G • V300 • TNA400.2 • ABC.2 • G300.2 • G320.2 • B400.3 • TNA400.3		

Milling cutter holding block Milling sha

Product ID : 11041286

Previous product ID : W9990041

Drive not live	Mounting Milling shaft D16	X [mm] -	Y [mm] -
Z [mm] -	INDEX TRAUB products A100 • C42/65 • G160 • G300 • G400 • MS32C • MS52C • TNX80 • V100 • V200 • A200-6 • ABC • B400 • C100 • C200 • G200 • G200.2 • G220 • G250 • MS16-6 • MS22-6 • MS22-8 • MS32-6.2 • MS40-6 • MS40-8 • TNX65/42 • V160C • V160G • V300 • TNA400.2 • ABC.2 • G300.2 • G320.2 • B400.3 • TNA400.3		

Milling cutter holding block Milling sha

Product ID : 12011567

Previous product ID :

Drive not live	Mounting Milling shaft D22	X [mm] 32.5 (1.28")	Y [mm] -
Z [mm] -	INDEX TRAUB products A100 • C42/65 • G160 • G300 • G400 • MS32C • MS52C • V100 • V200 • A200-6 • ABC • B400 • C100 • C200 • G200 • G200.2 • G220 • G250 • MS16-6 • MS22-6 • MS22-8 • MS32-6.2 • MS40-6 • MS40-8 • TNX65/42 • V160C • V160G • V300 • TNA400.2 • ABC.2 • G300.2 • G320.2 • B400.3 • TNA400.3		

Milling cutter holding block Milling sha

Product ID : 10435497

Previous product ID : W9990042

Drive not live	Mounting Milling shaft D22	X [mm] -	Y [mm] -
Z [mm] -	INDEX TRAUB products A100 • C42/65 • G160 • G300 • G400 • MS32C • MS52C • TNX80 • V100 • V200 • A200-6 • ABC • B400 • C100 • C200 • G200 • G200.2 • G220 • G250 • MS16-6 • MS22-6 • MS22-8 • MS32-6.2 • MS40-6 • MS40-8 • TNX65/42 • V160C • V160G • V300 • TNA400.2 • ABC.2 • G300.2 • G320.2 • B400.3 • TNA400.3		

Milling cutter holding block Milling sha

Product ID : 10807705

Previous product ID : W9990043

Drive not live	Mounting Milling shaft D27	X [mm] -	Y [mm] -
Z [mm] -	INDEX TRAUB products A100 • C42/65 • G160 • G300 • G400 • MS32C • MS52C • TNX80 • V100 • V200 • A200-6 • ABC • B400 • C100 • C200 • G200 • G200.2 • G220 • G250 • MS16-6 • MS22-6 • MS22-8 • MS32-6.2 • MS40-6 • MS40-8 • TNX65/42 • V160C • V160G • V300 • TNA400.2 • ABC.2 • G300.2 • G320.2 • B400.3 • TNA400.3		

---

### Milling cutter holding block Milling sha

Product ID : 10223928

Previous product ID : W9990044

Drive not live	Mounting Milling shaft D32	X [mm] -	Y [mm] -
Z [mm] -	INDEX TRAUB products A100 • C42/65 • G160 • G300 • G400 • MS32C • MS52C • TNX80 • V100 • V200 • A200-6 • ABC • B400 • C100 • C200 • G200 • G200.2 • G220 • G250 • MS16-6 • MS22-6 • MS22-8 • MS32-6.2 • MS40-6 • MS40-8 • TNX65/42 • V160C • V160G • V300 • TNA400.2 • ABC.2 • G300.2 • G320.2 • B400.3 • TNA400.3		

### **Tool holder accessories**

#### Hook wrench

Product ID : 10567017

Previous product ID : 490340.0590

TH accessories category Tool	Clamping nut type Outside diameter 55-62 mm	Tools for Collet chucks Hook wrench
------------------------------------	---	--

### **Other accessories**

#### SPRAY NOZZLE 14D/M6

Product ID : 10358770

Previous product ID : 474550.0121

---

#### Lens head screw

Product ID : 10188636

Previous product ID : 410243.0606

---

11016859  
W1455011

**INDEX**

---

[RING 14,5x17x3](#)

Product ID : 10112373

Previous product ID : W68560.1312

---