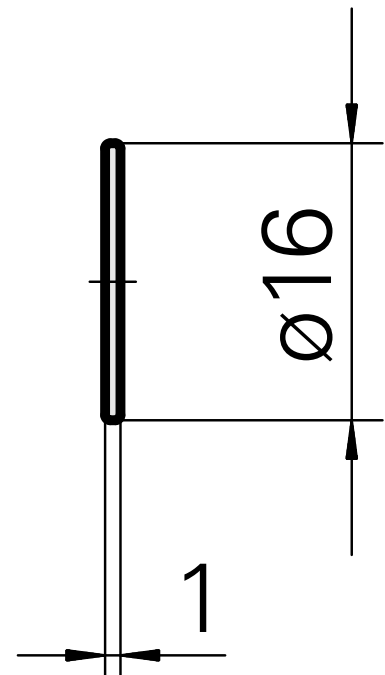
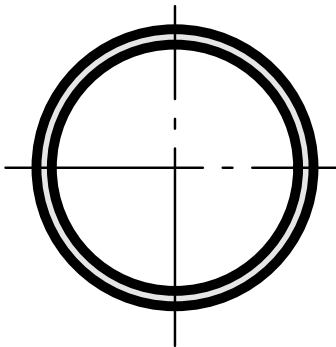
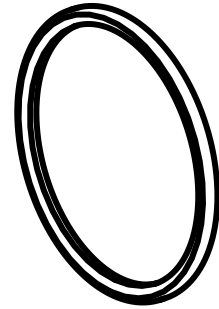


## Gasket ring DIN3771/ISO 3601-1 16x1mm

### Technical data

There are currently no additional technical features stored for this product



## **Documents**

No downloads available for this product