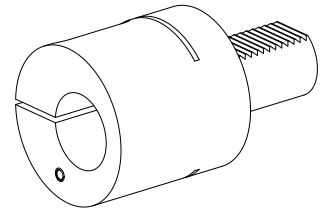


## Drilling tool holder VDI 40 D40

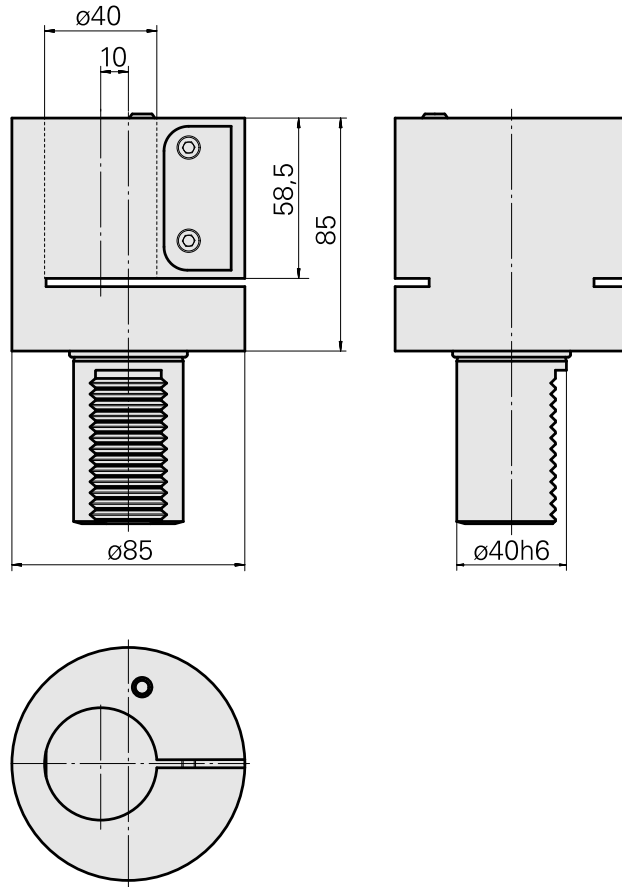
### Technical data

<b>Shank VDI</b>	VDI 40
<b>Drive</b>	not live
<b>Fixation VDI</b>	none
<b>Cooling</b>	external
<b>Pressure</b>	20 bar
<b>Mounting</b>	D40
<b>reversible 180°</b>	no
<b>X [mm]</b>	85 (3.35")
<b>Y [mm]</b>	–
<b>Z [mm]</b>	10 (0.39)
<b>INDEX TRAUB products</b>	V200 • V160C • V160G • V300 • TNA400 • B400 • B500 • TNA500.2 • TNA400.2 • TNA400.3 • B400.3 • B500.3 • TNA500.3



### Note

Eccentric mounting!



---

## Documents

No downloads available for this product

## Accessories

Optional accessories

### Other accessories

#### [Mounting sleeve D40 2x holes](#)

Product ID : 10159790

Previous product ID : W64220.02--

---

#### [Mounting sleeve D40 3x holes](#)

Product ID : 10789882

Previous product ID : W64221.14--

---

#### [SPRAY NOZZLE 14D/M6](#)

Product ID : 10358770

Previous product ID : 474550.0121

---