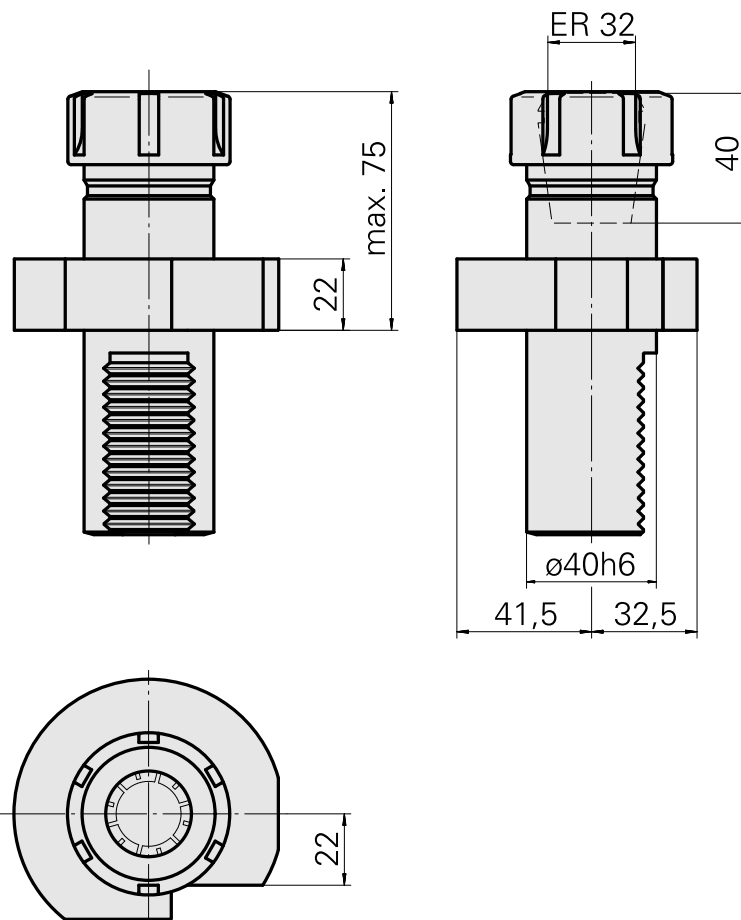


Drilling tool holder VDI 40 ER32, Form E4

Technical data

Shank VDI	VDI 40
Drive	not live
Fixation VDI	none
Cooling	internal
Pressure	40 bar
Mounting	ER32
reversible 180°	no
X [mm]	85 (3.35")
Y [mm]	—
Z [mm]	—
INDEX TRAUB products	V200 • V160C • V160G • V300 • TNA400 • B400 • B500 • TNA500.2 • TNA400.2 • TNA400.3 • B400.3 • B500.3 • TNA500.3



Documents

No downloads available for this product

Accessories

Required for operation

[Spanner](#)

Product ID : 10181051

Previous product ID : 490219.0321

TH accessories category Tool	Mounting ER32	Collet type ER 32	Clamping nut type Female thread
Tools for Collet chucks Clamping nut wrench			

Optional accessories

Tool holder accessories

[Clamping nut](#)

Product ID : 10117729

Previous product ID : 901939.0321

TH accessories category Clamping nut	Mounting ER32	Collet type ER 32	Clamping nut type Female thread
---	------------------	----------------------	------------------------------------

Other accessories

[Clamping collet](#)

Product ID : 10187712

Previous product ID : 901930.6---

[tapping tool collet ET-1-32](#)

Product ID : 10640099

Previous product ID : 3242--

11005033
W1400052

INDEX

[tapping tool collet](#)

Product ID : 10601144
Previous product ID : WZ9990.9509F

[Collet chuck](#)

Product ID : 10659178
Previous product ID : W999068-
