

## Boring head for VB.. 1604..

### Technical data

**Mounting**

for VB.. 1604..

**Cooling**

internal

**Pressure**

50 bar

**X [mm]**

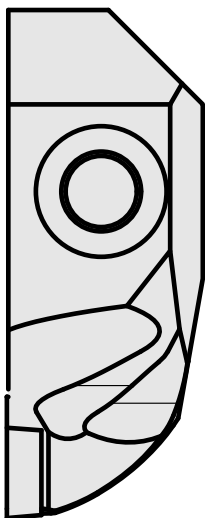
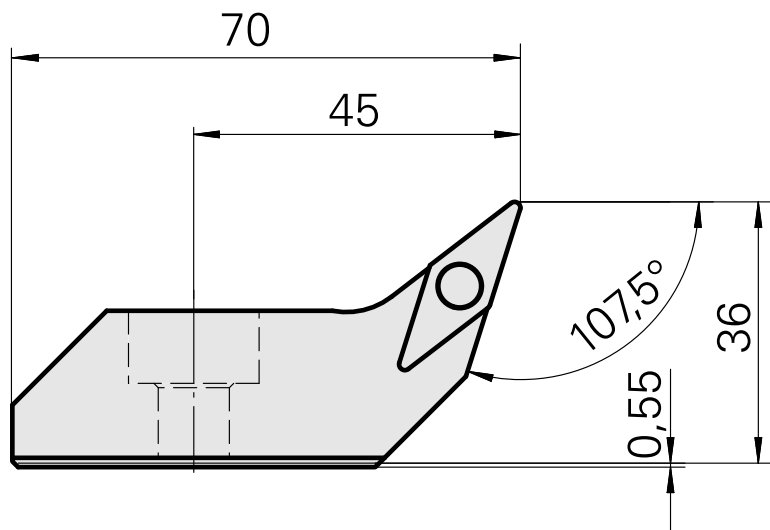
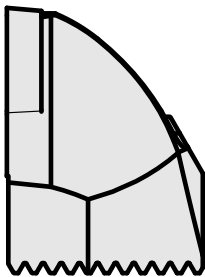
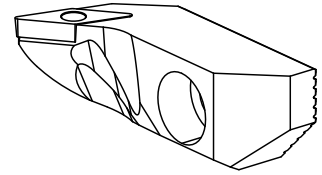
36 (1.42")

**Z [mm]**

45 (1.77)

**INDEX TRAUB products**

G220 • G420 • G520 • G320.2 •  
G220.3 • TNX220.3



## **Documents**

No downloads available for this product