

Marking tool, Tip angle/radius 90°/R1,0mm

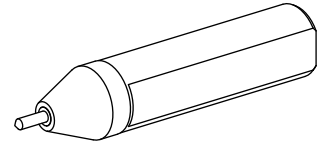
Technical data

TH accessories category

Marking tool

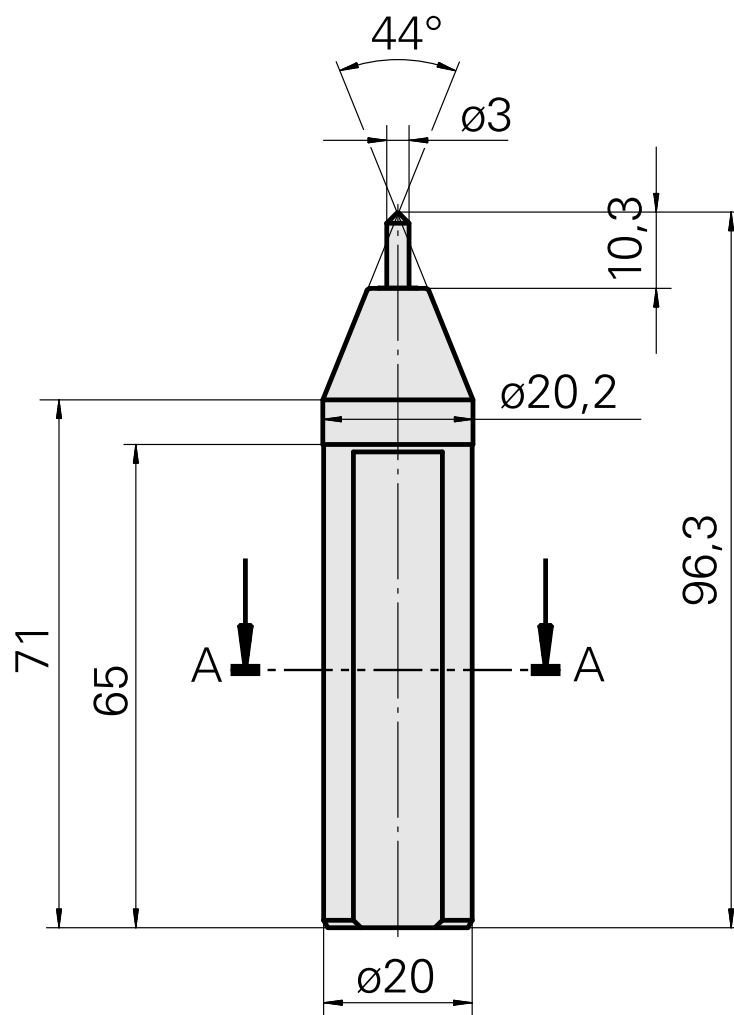
Tool mounting

20mm

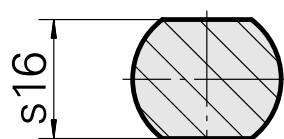


Note

Universal stylus for wide line thickness



A-A



Documents

Product notes

[DE \(pdf\)](#)

[FR \(pdf\)](#)

[PT \(pdf\)](#)

[EN \(pdf\)](#)