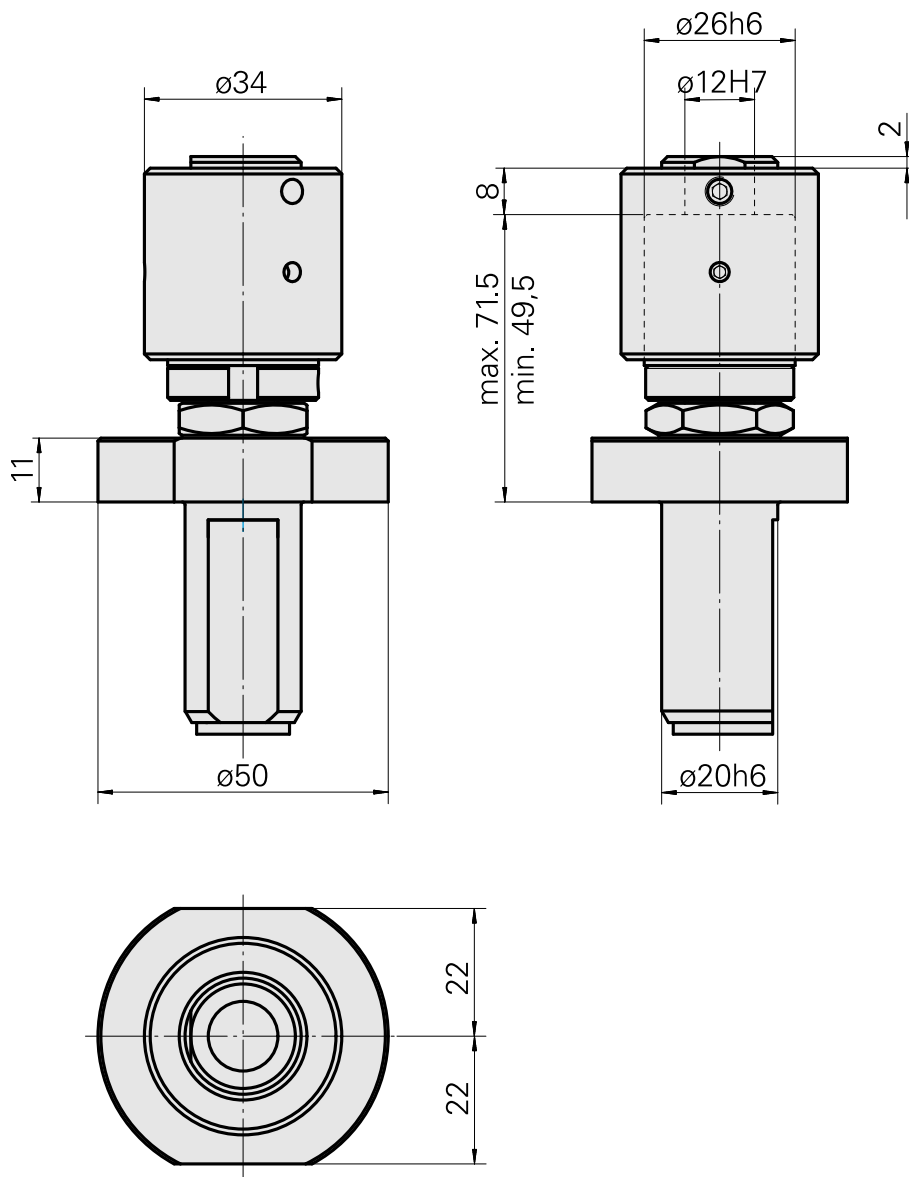


Bar stop VDI 20, adjustable, live

Technical data

Shank VDI	VDI 20
Drive	not live
Fixation VDI	none
reversible 180°	no
X [mm]	49.5 - 71.5 (1.95" - 2.81")
Y [mm]	-
Z [mm]	-



10979044
W1100017

INDEX

Documents

No downloads available for this product