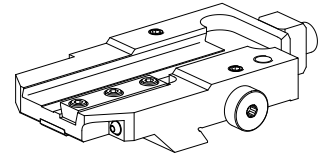


## Grooving tool and stop holder MS32/MS40

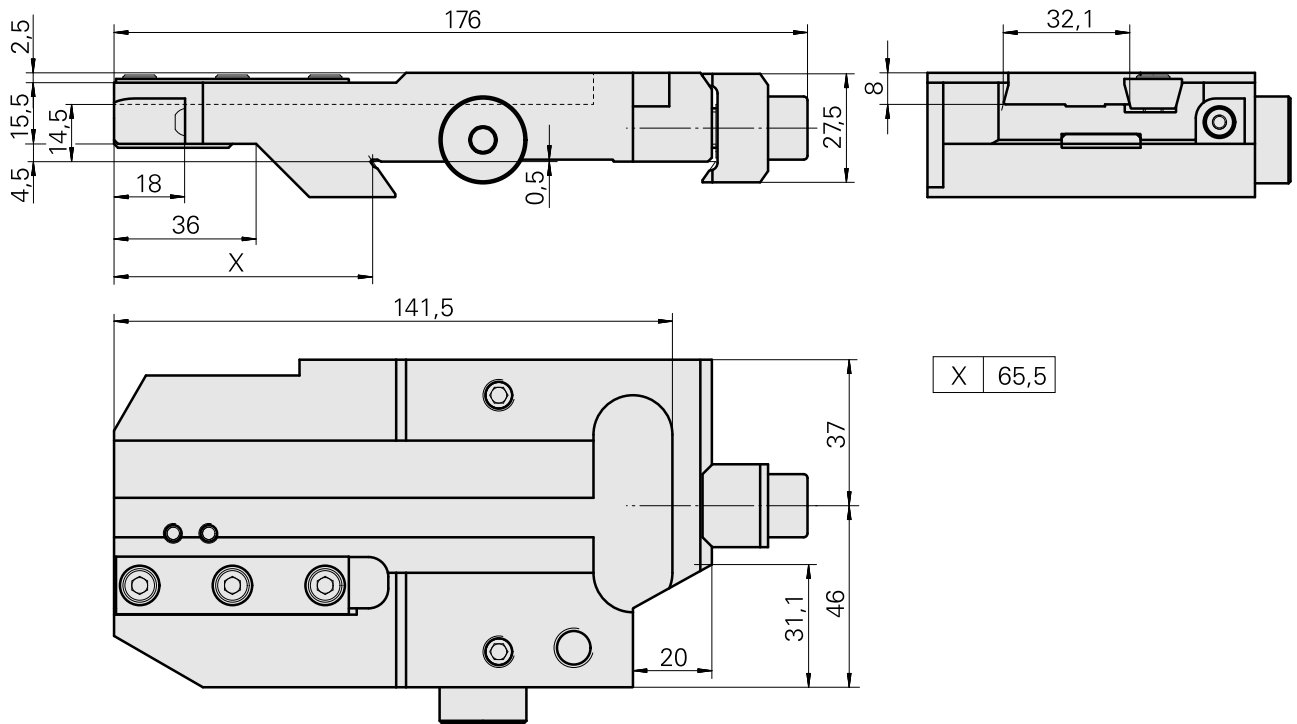
### Technical data

<b>Slide system MS</b>	MS32/MS40
<b>Drive</b>	not live
<b>Fixation MS</b>	Dovetail
<b>Cooling</b>	external
<b>Pressure</b>	20 bar
<b>Direction</b>	right-handed run
<b>Mounting</b>	Trapezoid 32x8
<b>X [mm]</b>	65.5 (2.58")
<b>Y [mm]</b>	–
<b>Z [mm]</b>	14.5 (0.57)
<b>INDEX TRAUB products</b>	MS32C • MS32-6.2 • MS40-6 • MS32-6.3



### Note

When there is rear end machining with 3 fixed tool holders, mounting occurs in position 6.2!



## Documents

No downloads available for this product

## Accessories

Required for operation

### [Ball nozzle 8D/M3,5](#)

Product ID : 10174644

Previous product ID : 474550.0071

---

Optional accessories

### Other accessories

#### [Stop plate](#)

Product ID : 10217059

Previous product ID : W00019.0064

---

### [Countersunk screw M 4x 8/T20 verzinkt 402314 8](#)

Product ID : 10586100

Previous product ID : 410362.0408

---