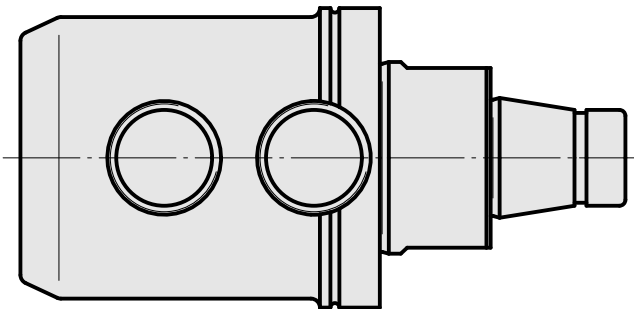
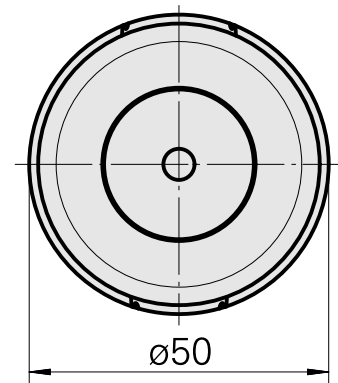
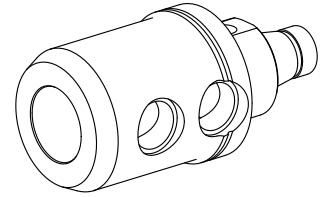


WFB 32-20 D25

Technical data

| | |
|-------------------------|-----------------|
| TH accessories category | WFB 32-20 |
| Mounting | D25 |
| Quick change inserts | Weldon mounting |



Documents

No downloads available for this product

Accessories

Optional accessories

Other accessories

[Mounting sleeve with collar D25](#)

Product ID : 10070544

Previous product ID : W62221.41--
