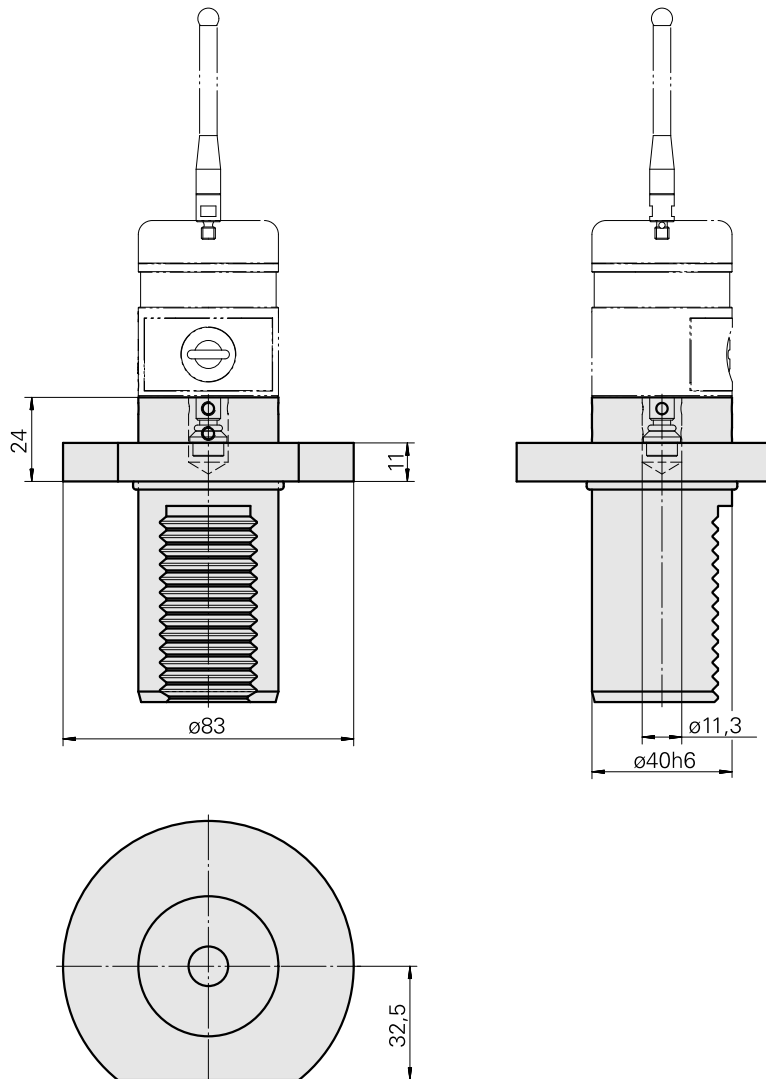


Probe holder VDI 40 Renishaw D11,2

Technical data

| | |
|-----------------|-------------------------|
| Shank VDI | VDI 40 |
| Drive | not live |
| Fixation VDI | none |
| Mounting | Renishaw D11,2 |
| reversible 180° | no |
| Data carrier | check tool station bore |
| X [mm] | 24 (0.94") |
| Y [mm] | - |
| Z [mm] | - |



Documents

No downloads available for this product

Accessories

Required for operation

Not defined

Product ID : 12133465

Previous product ID :

Push-button insert

Product ID : 12133466

Previous product ID :

Probe

Product ID : 10338967

Previous product ID : 487542.1441

Optional accessories

Other accessories

Case A-2033-7001

Product ID : 10259626

Previous product ID : 487542.0911
