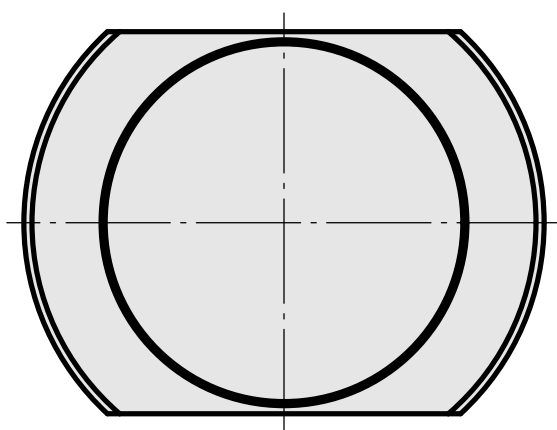
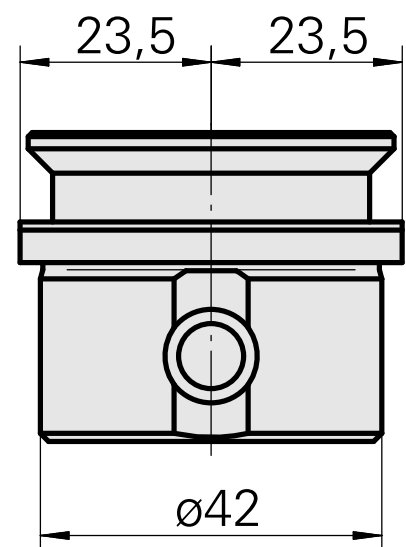
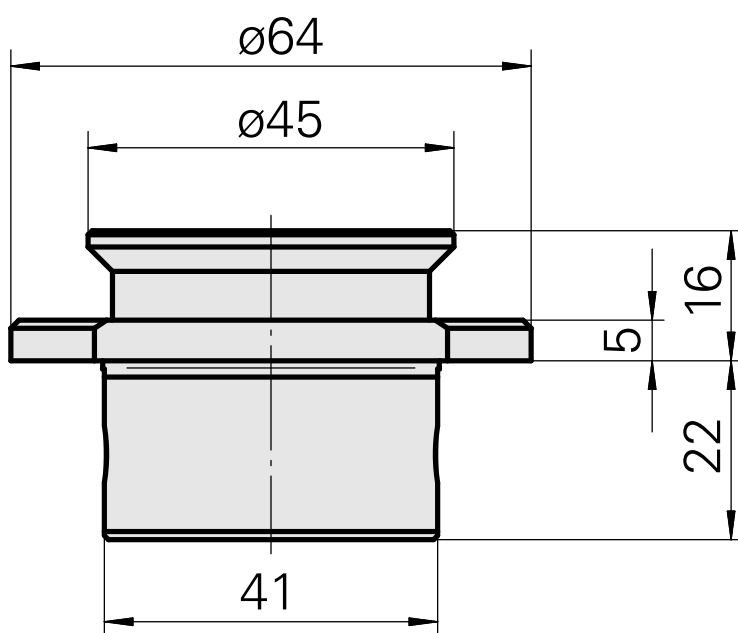
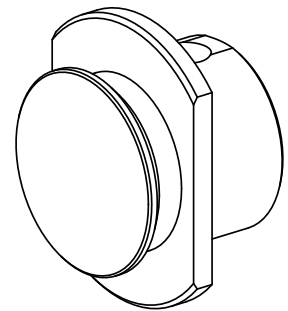


Blanking plug

Technical data

Drive	not live
Fixation MS	Shank D42
X [mm]	16 (0.63")
Y [mm]	-
Z [mm]	-
INDEX TRAUB products	MS52C • A200-6 • MS52-6.3



Documents

No downloads available for this product