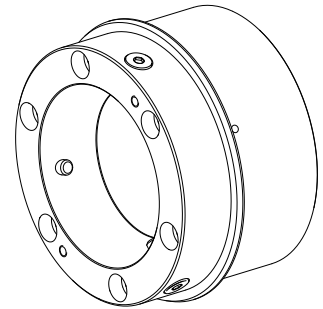


## Inserto pinza

### Technical data

<b>Prodotti INDEX TRAUB</b>	MS52-6.3
<b>Passaggio del mandrino</b>	52mm
<b>Lato di lavorazione</b>	Mandrino principale
<b>Caratt. prodotto altri prod.</b>	Modulare
<b>Lin. prod. di altri produkt.</b>	Mandrino SPANNTOP nova
<b>Attacco mandrino</b>	AP133
<b>Altezza mont. sistema serr.</b>	SK65
<b>Lin. prod. di altri produkt.</b>	Hainbuch



No 3-side view is currently available for this product

## Documents

No downloads available for this product

## Accessories

### Optional accessories

#### Other accessories

#### Dispositivo

Product ID : 10646742

Previous product ID : 900480.8261

Altezza mont. sistema serr. SK65	Lin. prod. di altri produtt. Mandrino SPANNTOP nova • Mandrino SPANNTOP mini • Mandrino TOPlus	Tipo di serraggio Pneumatico	Metodo di serraggio Serraggio esterno
Lin. prod. di altri produtt. Hainbuch			

#### Dispositivo

Product ID : 10614886

Previous product ID : 900465.8201

Altezza mont. sistema serr. SK65	Lin. prod. di altri produtt. Mandrino SPANNTOP nova • Mandrino SPANNTOP mini	Metodo di serraggio Serraggio esterno	Lin. prod. di altri produtt. Hainbuch
-------------------------------------	--	--	---

### Testa di serraggio SK65 D=5,00mm

Product ID : 10282816

Previous product ID : 900465.0500

Altezza mont. sistema serr. <b>SK65</b>	Lin. prod. di altri produtt. <b>Mandrino SPANNTOP nova</b>	Tipo di serraggio <b>scanalato</b>	Diametro nominale (mm) <b>5 Millimeter</b>
Metodo di serraggio <b>Serraggio esterno</b>	Lin. prod. di altri produtt. <b>Hainbuch</b>		

### Testa di serraggio SK65 D=6,00mm

Product ID : 10391389

Previous product ID : 900465.0600

Altezza mont. sistema serr. <b>SK65</b>	Lin. prod. di altri produtt. <b>Mandrino SPANNTOP nova</b>	Tipo di serraggio <b>scanalato</b>	Diametro nominale (mm) <b>6 Millimeter</b>
Metodo di serraggio <b>Serraggio esterno</b>	Lin. prod. di altri produtt. <b>Hainbuch</b>		

### Testa di serraggio SK65 D=7,00mm

Product ID : 10335417

Previous product ID : 900465.0700

Altezza mont. sistema serr. <b>SK65</b>	Lin. prod. di altri produtt. <b>Mandrino SPANNTOP nova</b>	Tipo di serraggio <b>scanalato</b>	Diametro nominale (mm) <b>7 Millimeter</b>
Metodo di serraggio <b>Serraggio esterno</b>	Lin. prod. di altri produtt. <b>Hainbuch</b>		

### Testa di serraggio SK65 D=8,00mm

Product ID : 10147578

Previous product ID : 900465.0800

Altezza mont. sistema serr. <b>SK65</b>	Lin. prod. di altri produtt. <b>Mandrino SPANNTOP nova</b>	Tipo di serraggio <b>scanalato</b>	Diametro nominale (mm) <b>8 Millimeter</b>
Metodo di serraggio <b>Serraggio esterno</b>	Lin. prod. di altri produtt. <b>Hainbuch</b>		

### Testa di serraggio SK65 D=9,00mm

Product ID : 10535985

Previous product ID : 900465.0900

Altezza mont. sistema serr. <b>SK65</b>	Lin. prod. di altri produtt. <b>Mandrino SPANNTOP nova</b>	Tipo di serraggio <b>scanalato</b>	Diametro nominale (mm) <b>9 Millimeter</b>
Metodo di serraggio <b>Serraggio esterno</b>	Lin. prod. di altri produtt. <b>Hainbuch</b>		

### Testa di serraggio SK65 D=10,00mm

Product ID : 10482936

Previous product ID : 900465.1000

Altezza mont. sistema serr. <b>SK65</b>	Lin. prod. di altri produtt. <b>Mandrino SPANNTOP nova</b>	Tipo di serraggio <b>scanalato</b>	Diametro nominale (mm) <b>10 Millimeter</b>
Metodo di serraggio <b>Serraggio esterno</b>	Lin. prod. di altri produtt. <b>Hainbuch</b>		

### Testa di serraggio SK65 D=11,00mm

Product ID : 10482288

Previous product ID : 900465.1100

Clamping device size SK65	manufacturer product line SPANNTOP nova chuck	Clamping type grooved	Nominal diameter (mm) 11 Millimeter
Clamping method External clamping	manufacturer product line Hainbuch		

### Testa di serraggio SK65 D=12,00mm

Product ID : 11050855

Previous product ID : 900465.1200

Clamping device size SK65	manufacturer product line SPANNTOP nova chuck	Clamping type grooved	Nominal diameter (mm) 12 Millimeter
Clamping method External clamping	manufacturer product line Hainbuch		

### Testa di serraggio SK65 D=13,00mm

Product ID : 10464997

Previous product ID : 900465.1300

Clamping device size SK65	manufacturer product line SPANNTOP nova chuck	Clamping type grooved	Nominal diameter (mm) 13 Millimeter
Clamping method External clamping	manufacturer product line Hainbuch		

### Testa di serraggio SK65 D=14,00mm

Product ID : 10930602

Previous product ID : 900465.1400

Clamping device size SK65	manufacturer product line SPANNTOP nova chuck	Clamping type grooved	Nominal diameter (mm) 14 Millimeter
Clamping method External clamping	manufacturer product line Hainbuch		

### Testa di serraggio SK65 D=15,00mm

Product ID : 10174520

Previous product ID : 900465.1500

Clamping device size SK65	manufacturer product line SPANNTOP nova chuck	Clamping type grooved	Nominal diameter (mm) 15 Millimeter
Clamping method External clamping	manufacturer product line Hainbuch		

### Testa di serraggio SK65 D=16,00mm

Product ID : 10630545

Previous product ID : 900465.1600

Clamping device size SK65	manufacturer product line SPANNTOP nova chuck	Clamping type grooved	Nominal diameter (mm) 16 Millimeter
Clamping method External clamping	manufacturer product line Hainbuch		

### Testa di serraggio SK65 D=17,00mm

Product ID : 10691868

Previous product ID : 900465.1700

Clamping device size SK65	manufacturer product line SPANNTOP nova chuck	Clamping type grooved	Nominal diameter (mm) 17 Millimeter
Clamping method External clamping	manufacturer product line Hainbuch		

### Testa di serraggio SK65 D=18,00mm

Product ID : 10303296

Previous product ID : 900465.1800

Clamping device size SK65	manufacturer product line SPANNTOP nova chuck	Clamping type grooved	Nominal diameter (mm) 18 Millimeter
Clamping method External clamping	manufacturer product line Hainbuch		

### Testa di serraggio SK65 D=19,00mm

Product ID : 10393834

Previous product ID : 900465.1900

Clamping device size SK65	manufacturer product line SPANNTOP nova chuck	Clamping type grooved	Nominal diameter (mm) 19 Millimeter
Clamping method External clamping	manufacturer product line Hainbuch		

### Testa di serraggio SK65 D=20,00mm

Product ID : 10554430

Previous product ID : 900465.2000

Clamping device size SK65	manufacturer product line SPANNTOP nova chuck	Clamping type grooved	Nominal diameter (mm) 20 Millimeter
Clamping method External clamping	manufacturer product line Hainbuch		

### Testa di serraggio SK65 D=21,00mm

Product ID : 10554471

Previous product ID : 900465.2100

Clamping device size SK65	manufacturer product line SPANNTOP nova chuck	Clamping type grooved	Nominal diameter (mm) 21 Millimeter
Clamping method External clamping	manufacturer product line Hainbuch		

### Testa di serraggio SK65 D=22,00mm

Product ID : 10381560

Previous product ID : 900465.2200

Clamping device size SK65	manufacturer product line SPANNTOP nova chuck	Clamping type grooved	Nominal diameter (mm) 22 Millimeter
Clamping method External clamping	manufacturer product line Hainbuch		

### Testa di serraggio SK65 D=23,00mm

Product ID : 10741026

Previous product ID : 900465.2300

Clamping device size SK65	manufacturer product line SPANNTOP nova chuck	Clamping type grooved	Nominal diameter (mm) 23 Millimeter
Clamping method External clamping	manufacturer product line Hainbuch		

### Testa di serraggio SK65 D=24,00mm

Product ID : 10229489

Previous product ID : 900465.2400

Clamping device size SK65	manufacturer product line SPANNTOP nova chuck	Clamping type grooved	Nominal diameter (mm) 24 Millimeter
Clamping method External clamping	manufacturer product line Hainbuch		

### Testa di serraggio SK65 D=25,00mm

Product ID : 10806555

Previous product ID : 900465.2500

Clamping device size SK65	manufacturer product line SPANNTOP nova chuck	Clamping type grooved	Nominal diameter (mm) 25 Millimeter
Clamping method External clamping	manufacturer product line Hainbuch		

### Testa di serraggio SK65 D=26,00mm

Product ID : 10991722

Previous product ID : 900465.2600

Clamping device size SK65	manufacturer product line SPANNTOP nova chuck	Clamping type grooved	Nominal diameter (mm) 26 Millimeter
Clamping method External clamping	manufacturer product line Hainbuch		

### Testa di serraggio SK65 D=27,00mm

Product ID : 10756684

Previous product ID : 900465.2700

Clamping device size SK65	manufacturer product line SPANNTOP nova chuck	Clamping type grooved	Nominal diameter (mm) 27 Millimeter
Clamping method External clamping	manufacturer product line Hainbuch		

### Testa di serraggio SK65 D=28,00mm

Product ID : 10342545

Previous product ID : 900465.2800

Clamping device size SK65	manufacturer product line SPANNTOP nova chuck	Clamping type grooved	Nominal diameter (mm) 28 Millimeter
Clamping method External clamping	manufacturer product line Hainbuch		

### Testa di serraggio SK65 D=29,00mm

Product ID : 10385913

Previous product ID : 900465.2900

Clamping device size SK65	manufacturer product line SPANNTOP nova chuck	Clamping type grooved	Nominal diameter (mm) 29 Millimeter
Clamping method External clamping	manufacturer product line Hainbuch		

### Testa di serraggio SK65 D=30,00mm

Product ID : 10642391

Previous product ID : 900465.3000

Clamping device size SK65	manufacturer product line SPANNTOP nova chuck	Clamping type grooved	Nominal diameter (mm) 30 Millimeter
Clamping method External clamping	manufacturer product line Hainbuch		

### Testa di serraggio SK65 D=31,00mm

Product ID : 10479992

Previous product ID : 900465.3100

Clamping device size SK65	manufacturer product line SPANNTOP nova chuck	Clamping type grooved	Nominal diameter (mm) 31 Millimeter
Clamping method External clamping	manufacturer product line Hainbuch		

### Testa di serraggio SK65 D=32,00mm

Product ID : 10050145

Previous product ID : 900465.3200

Clamping device size SK65	manufacturer product line SPANNTOP nova chuck	Clamping type grooved	Nominal diameter (mm) 32 Millimeter
Clamping method External clamping	manufacturer product line Hainbuch		

### Testa di serraggio SK65 D=33,00mm

Product ID : 10881990

Previous product ID : 900465.3300

Clamping device size SK65	manufacturer product line SPANNTOP nova chuck	Clamping type grooved	Nominal diameter (mm) 33 Millimeter
Clamping method External clamping	manufacturer product line Hainbuch		

### Testa di serraggio SK65 D=34,00mm

Product ID : 10788415

Previous product ID : 900465.3400

Clamping device size SK65	manufacturer product line SPANNTOP nova chuck	Clamping type grooved	Nominal diameter (mm) 34 Millimeter
Clamping method External clamping	manufacturer product line Hainbuch		

### Testa di serraggio SK65 D=35,00mm

Product ID : 10071696

Previous product ID : 900465.3500

Clamping device size SK65	manufacturer product line SPANNTOP nova chuck	Clamping type grooved	Nominal diameter (mm) 35 Millimeter
Clamping method External clamping	manufacturer product line Hainbuch		

### Testa di serraggio SK65 D=36,00mm

Product ID : 10518620

Previous product ID : 900465.3600

Clamping device size SK65	manufacturer product line SPANNTOP nova chuck	Clamping type grooved	Nominal diameter (mm) 36 Millimeter
Clamping method External clamping	manufacturer product line Hainbuch		

### Testa di serraggio SK65 D=37,00mm

Product ID : 10813265

Previous product ID : 900465.3700

Clamping device size SK65	manufacturer product line SPANNTOP nova chuck	Clamping type grooved	Nominal diameter (mm) 37 Millimeter
Clamping method External clamping	manufacturer product line Hainbuch		

### Testa di serraggio SK65 D=38,00mm

Product ID : 11041276

Previous product ID : 900465.3800

Clamping device size SK65	manufacturer product line SPANNTOP nova chuck	Clamping type grooved	Nominal diameter (mm) 38 Millimeter
Clamping method External clamping	manufacturer product line Hainbuch		

### Testa di serraggio SK65 D=39,00mm

Product ID : 11017041

Previous product ID : 900465.3900

Clamping device size SK65	manufacturer product line SPANNTOP nova chuck	Clamping type grooved	Nominal diameter (mm) 39 Millimeter
Clamping method External clamping	manufacturer product line Hainbuch		

### Testa di serraggio SK65 D=40,00mm

Product ID : 10827589

Previous product ID : 900465.4000

Clamping device size SK65	manufacturer product line SPANNTOP nova chuck	Clamping type grooved	Nominal diameter (mm) 40 Millimeter
Clamping method External clamping	manufacturer product line Hainbuch		

### Testa di serraggio SK65 D=41,00mm

Product ID : 10487283

Previous product ID : 900465.4100

Clamping device size SK65	manufacturer product line SPANNTOP nova chuck	Clamping type grooved	Nominal diameter (mm) 41 Millimeter
Clamping method External clamping	manufacturer product line Hainbuch		

### Testa di serraggio SK65 D=42,00mm

Product ID : 10948181

Previous product ID : 900465.4200

Clamping device size SK65	manufacturer product line SPANNTOP nova chuck	Clamping type grooved	Nominal diameter (mm) 42 Millimeter
Clamping method External clamping	manufacturer product line Hainbuch		

### Testa di serraggio SK65 D=43,00mm

Product ID : 10185590

Previous product ID : 900465.4300

Clamping device size SK65	manufacturer product line SPANNTOP nova chuck	Clamping type grooved	Nominal diameter (mm) 43 Millimeter
Clamping method External clamping	manufacturer product line Hainbuch		

### Testa di serraggio SK65 D=44,00mm

Product ID : 10364976

Previous product ID : 900465.4400

Clamping device size SK65	manufacturer product line SPANNTOP nova chuck	Clamping type grooved	Nominal diameter (mm) 44 Millimeter
Clamping method External clamping	manufacturer product line Hainbuch		

### Testa di serraggio SK65 D=45,00mm

Product ID : 10323021

Previous product ID : 900465.4500

Clamping device size SK65	manufacturer product line SPANNTOP nova chuck	Clamping type grooved	Nominal diameter (mm) 45 Millimeter
Clamping method External clamping	manufacturer product line Hainbuch		

### Testa di serraggio SK65 D=46,00mm

Product ID : 10702916

Previous product ID : 900465.4600

Clamping device size SK65	manufacturer product line SPANNTOP nova chuck	Clamping type grooved	Nominal diameter (mm) 46 Millimeter
Clamping method External clamping	manufacturer product line Hainbuch		

### Testa di serraggio SK65 D=47,00mm

Product ID : 10596424

Previous product ID : 900465.4700

Clamping device size SK65	manufacturer product line SPANNTOP nova chuck	Clamping type grooved	Nominal diameter (mm) 47 Millimeter
Clamping method External clamping	manufacturer product line Hainbuch		

### Testa di serraggio SK65 D=48,00mm

Product ID : 10701027

Previous product ID : 900465.4800

Clamping device size SK65	manufacturer product line SPANNTOP nova chuck	Clamping type grooved	Nominal diameter (mm) 48 Millimeter
Clamping method External clamping	manufacturer product line Hainbuch		

### Testa di serraggio SK65 D=49,00mm

Product ID : 10700083

Previous product ID : 900465.4900

Clamping device size SK65	manufacturer product line SPANNTOP nova chuck	Clamping type grooved	Nominal diameter (mm) 49 Millimeter
Clamping method External clamping	manufacturer product line Hainbuch		

### Testa di serraggio SK65 D=50,00mm

Product ID : 10430168

Previous product ID : 900465.5000

Clamping device size SK65	manufacturer product line SPANNTOP nova chuck	Clamping type grooved	Nominal diameter (mm) 50 Millimeter
Clamping method External clamping	manufacturer product line Hainbuch		

---

### Testa di serraggio SK65 D=51,00mm

Product ID : 11007896

Previous product ID : 900465.5100

Clamping device size SK65	manufacturer product line SPANNTOP nova chuck	Clamping type grooved	Nominal diameter (mm) 51 Millimeter
Clamping method External clamping	manufacturer product line Hainbuch		

### Testa di serraggio SK65 D=52,00mm

Product ID : 10117777

Previous product ID : 900465.5200

Clamping device size SK65	manufacturer product line SPANNTOP nova chuck	Clamping type grooved	Nominal diameter (mm) 52 Millimeter
Clamping method External clamping	manufacturer product line Hainbuch		

### **HAINBUCH Clamping elements**

#### Testa di serraggio

Product ID : 10471355

Previous product ID : 900465.1850

Clamping device size SK65	manufacturer product line SPANNTOP nova chuck	Clamping type grooved	Nominal diameter (mm) 18.5 Millimeter
Clamping method External clamping	manufacturer product line Hainbuch		

### **Other accessories**

#### Corpo principale

Product ID : 10489742

Previous product ID : 900452.8001

---

10880505  
M70082.50

**INDEX**

---

Vite cilindrica

Product ID : 11051534

Previous product ID : 410260.0885

---