

INDEX CAPTO C3 for CC.. 09T3.., right, without gripper groove

Technical data

TH accessories category

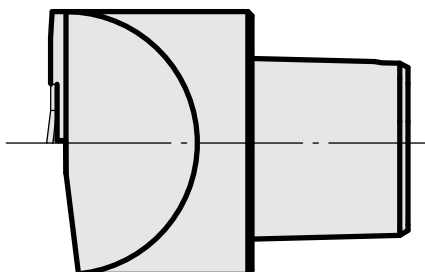
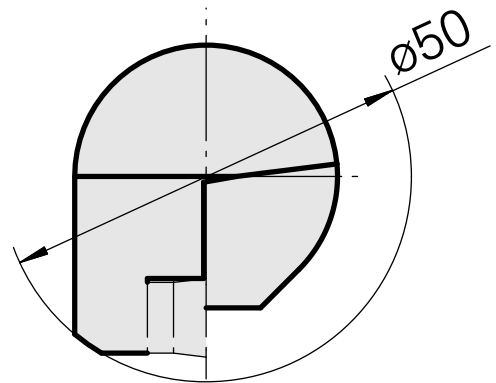
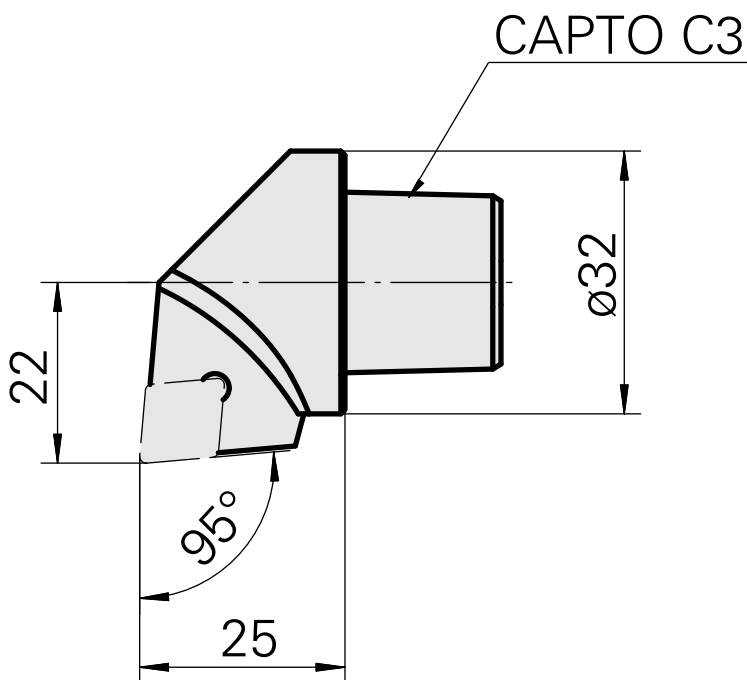
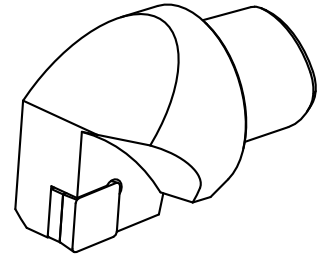
INDEX CAPTO C3

Mounting

for CC.. 09T3..

Quick change inserts

Turning tool holder



10875774
W9990808

INDEX

Documents

No downloads available for this product