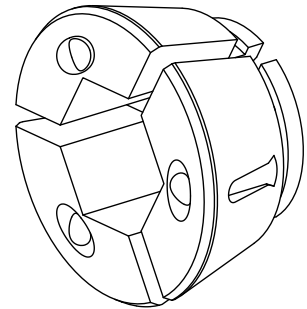


## Clamping head SK42 AF=20,0mm

### Technical data

<b>Clamping device size</b>	SK42
<b>manufacturer product line</b>	SPANNTOP nova chuck
<b>Clamping type</b>	Hexagon grooved
<b>Nominal diameter (mm)</b>	20 Millimeter
<b>Clamping method</b>	External clamping
<b>manufacturer product line</b>	Hainbuch



No 3-side view is currently available for this product

10860689  
900442.6200

**INDEX**

---

## **Documents**

No downloads available for this product