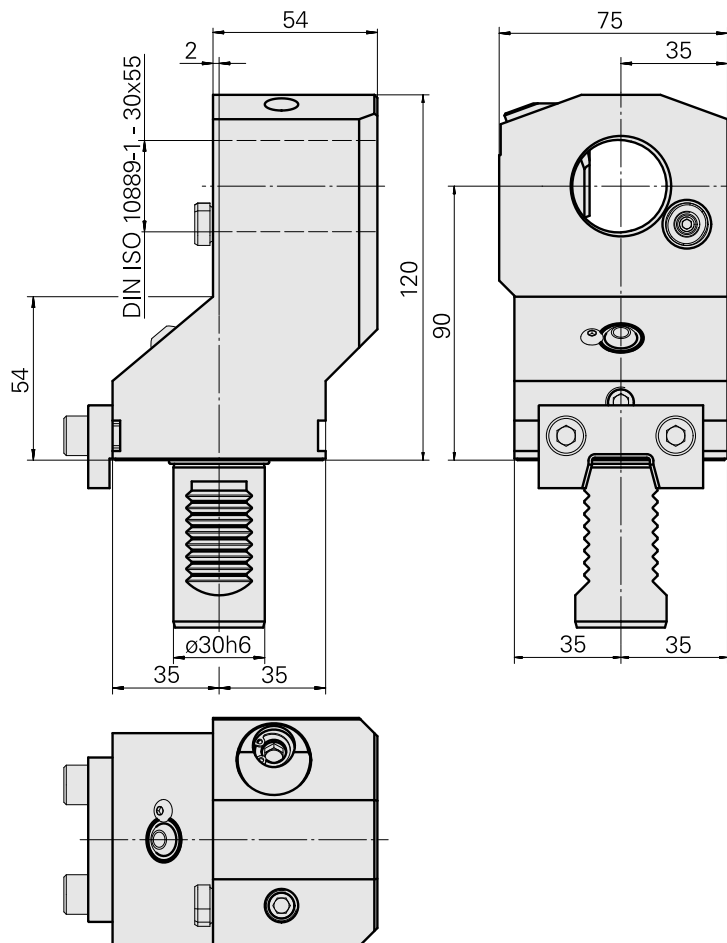
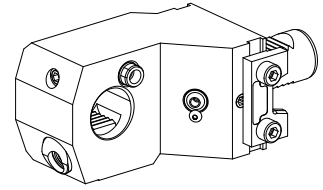


## Compensation holder

### Technical data

<b>Shank VDI</b>	VDI 30
<b>Drive</b>	not live
<b>Fixation VDI</b>	Vee bar
<b>Cooling</b>	external
<b>Pressure</b>	20 bar
<b>Mounting</b>	VDI 30
<b>reversible 180°</b>	yes
<b>Data carrier</b>	check tool station bore
<b>X [mm]</b>	90 (3.54")
<b>Y [mm]</b>	–
<b>Z [mm]</b>	2 (0.08)
<b>INDEX TRAUB products</b>	G160 • G300 • G250



---

## Documents

No downloads available for this product

## Accessories

Optional accessories

### Other accessories

#### [SPRAY NOZZLE 14D/M6](#)

Product ID : 10358770

Previous product ID : 474550.0121

---

#### [Lens head screw](#)

Product ID : 10344546

Previous product ID : 410243.0406

---

#### [Setting gauge](#)

Product ID : 10677697

Previous product ID : W68220.4150

---

#### [Stop bar](#)

Product ID : 10713062

Previous product ID : W68220.4104

---

#### [Clamping bar](#)

Product ID : 10967524

Previous product ID : W68220.4106

---

#### [ZI\\_SCREW 8X16](#)

Product ID : 10360891

Previous product ID : 410260.0816

---

10854854  
W1330000

**INDEX**

---

Not defined

Product ID : 10952854

Previous product ID : WL3300.9130F

---