

INDEX CAPTO C3 for DC.. 11T3.., right, without gripper groove

Technical data

TH accessories category

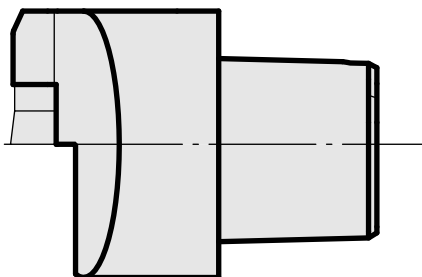
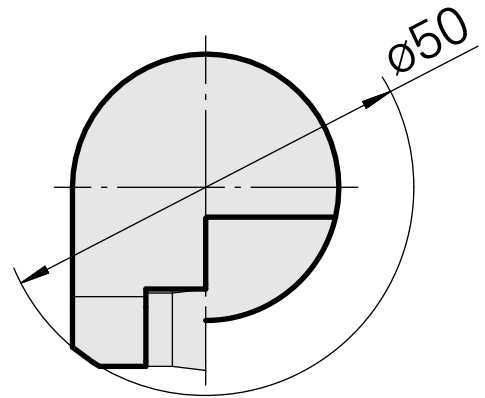
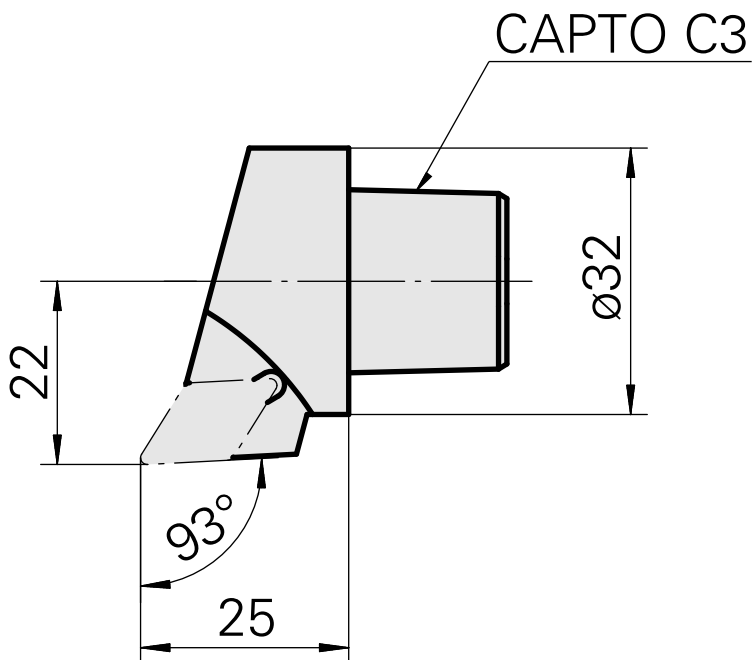
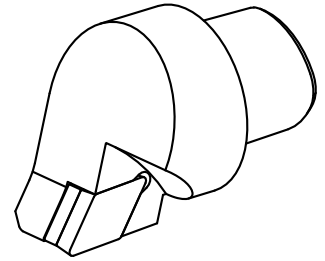
INDEX CAPTO C3

Mounting

for DC.. 11T3..

Quick change inserts

Turning tool holder



10852409
W9990809

INDEX

Documents

No downloads available for this product