

## Ring, width 5 mm (0.19")

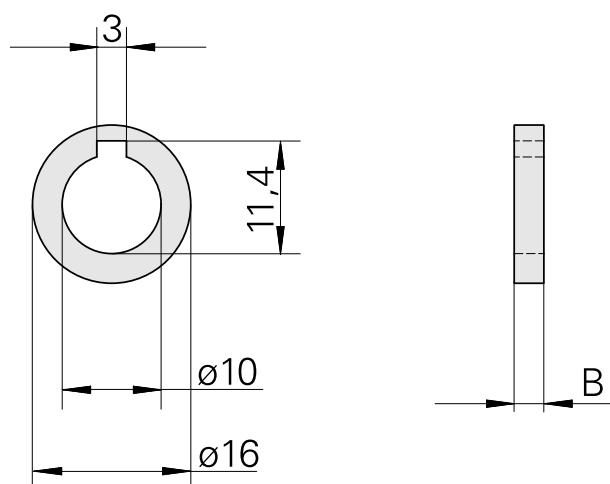
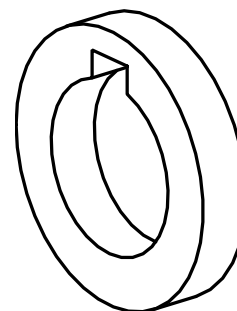
### Technical data

TH accessories category

Mill arbor ring

Mounting

Milling shaft D10



10828799  
981163

**INDEX**

---

## **Documents**

No downloads available for this product