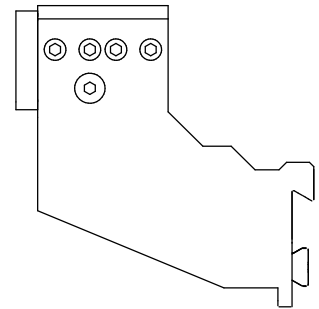


## Drilling tool holder Circular prism D16

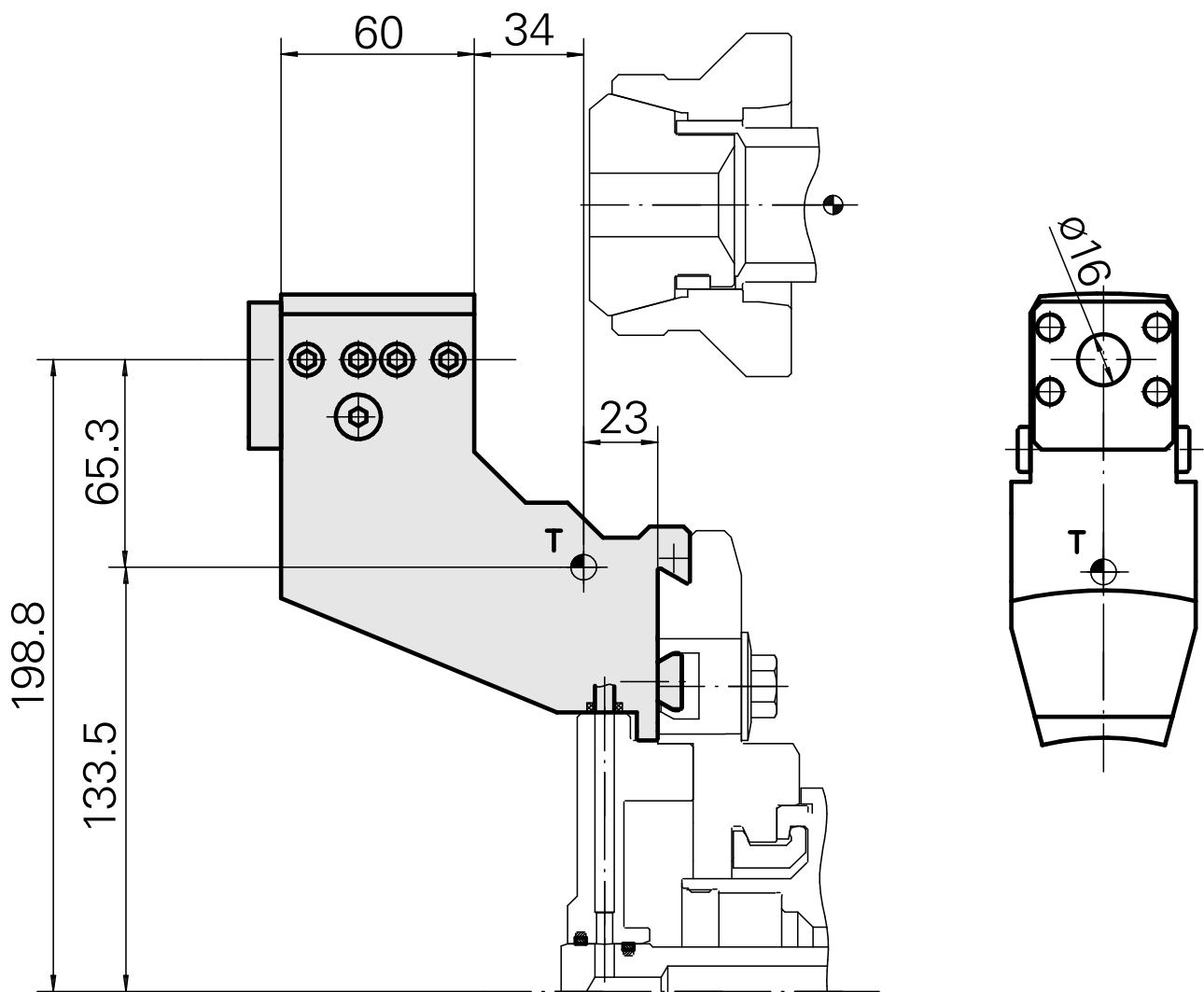
### Technical data

<b>Shank TNL</b>	Circular prism
<b>Drive</b>	not live
<b>Fixation TNL</b>	Central tensioning screw
<b>Cooling</b>	external
<b>Pressure</b>	30 bar
<b>Mounting</b>	D16
<b>INDEX TRAUB products</b>	TNK36 • TNL26



### Note

A collision check must be carried out before use!



## **Documents**

No downloads available for this product

## **Accessories**

Optional accessories

### **Other accessories**

[Mounting sleeve with collar D16](#)

Product ID : 10914323

Previous product ID : W67511.04--

---