

Mount

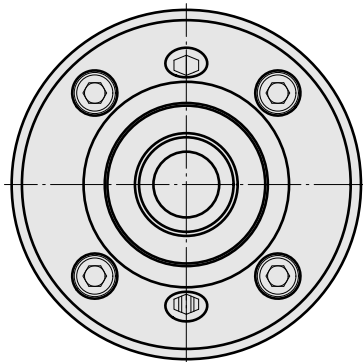
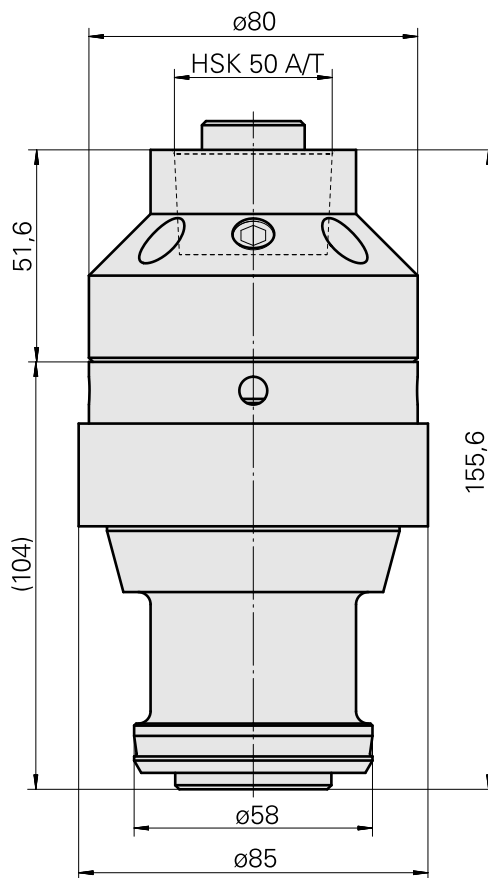
Technical data

TH accessories category

Adapter pre-adjustment block

Tool mounting

HSK 50



10785347
W9990498

INDEX

Documents

No downloads available for this product