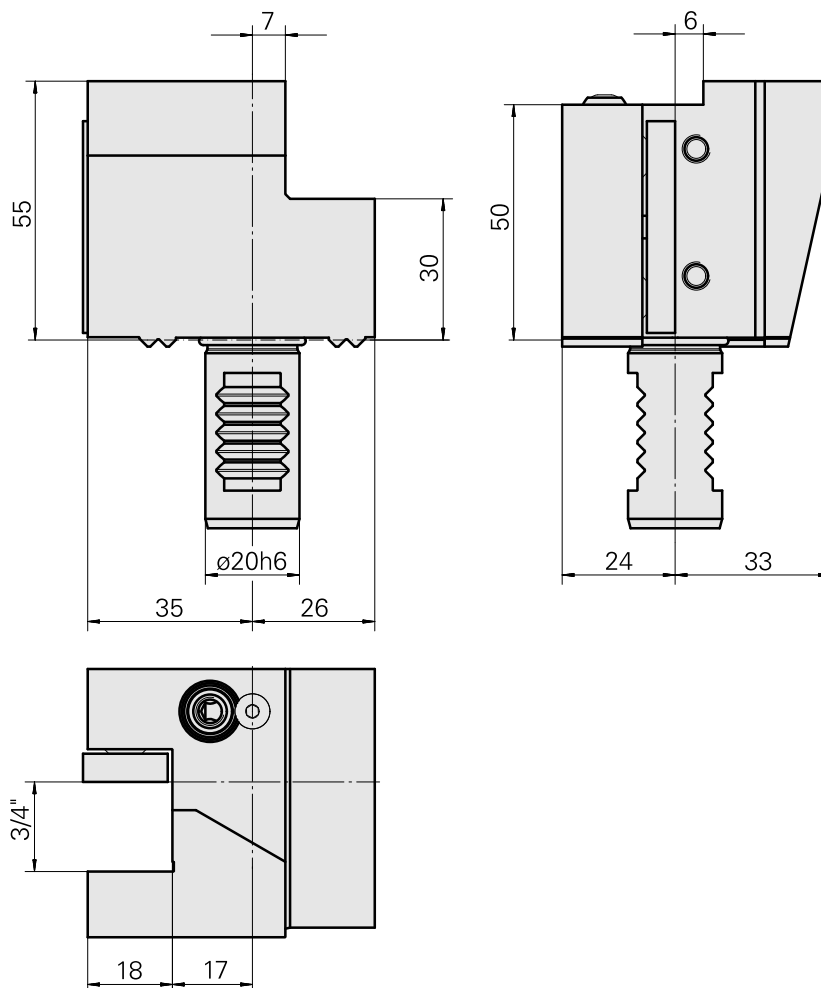
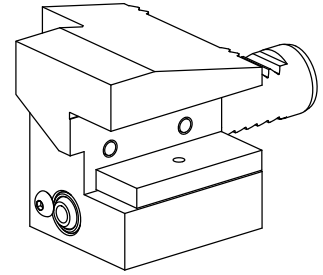


## Turning tool holder VDI 20 square 3/4"x3, Form C2/C3

### Technical data

|                             |                  |
|-----------------------------|------------------|
| <b>Shank VDI</b>            | VDI 20           |
| <b>Drive</b>                | not live         |
| <b>Fixation VDI</b>         | W serration      |
| <b>Cooling</b>              | external         |
| <b>Pressure</b>             | 20 bar           |
| <b>Mounting</b>             | Square 3/4"x3/4" |
| <b>reversible 180°</b>      | yes              |
| <b>X [mm]</b>               | 55 (2.17")       |
| <b>Y [mm]</b>               | —                |
| <b>Z [mm]</b>               | 35 (1.38)        |
| <b>INDEX TRAUB products</b> | C100             |



## Documents

No downloads available for this product

## Accessories

Optional accessories

### Other accessories

#### [Seal](#)

Product ID : 10478680

Previous product ID : W67221.4196

---

#### [Blanking plug D12](#)

Product ID : 10532667

Previous product ID : W00015.0021

---

#### [BALL SPRAY NOZZLE 12D/M6](#)

Product ID : 10602750

Previous product ID : 474550.0101

---

#### [Lens head screw](#)

Product ID : 10344546

Previous product ID : 410243.0406

---