

Marking tool, Tip angle/radius 90°/R3.0 mm needle 12 mm

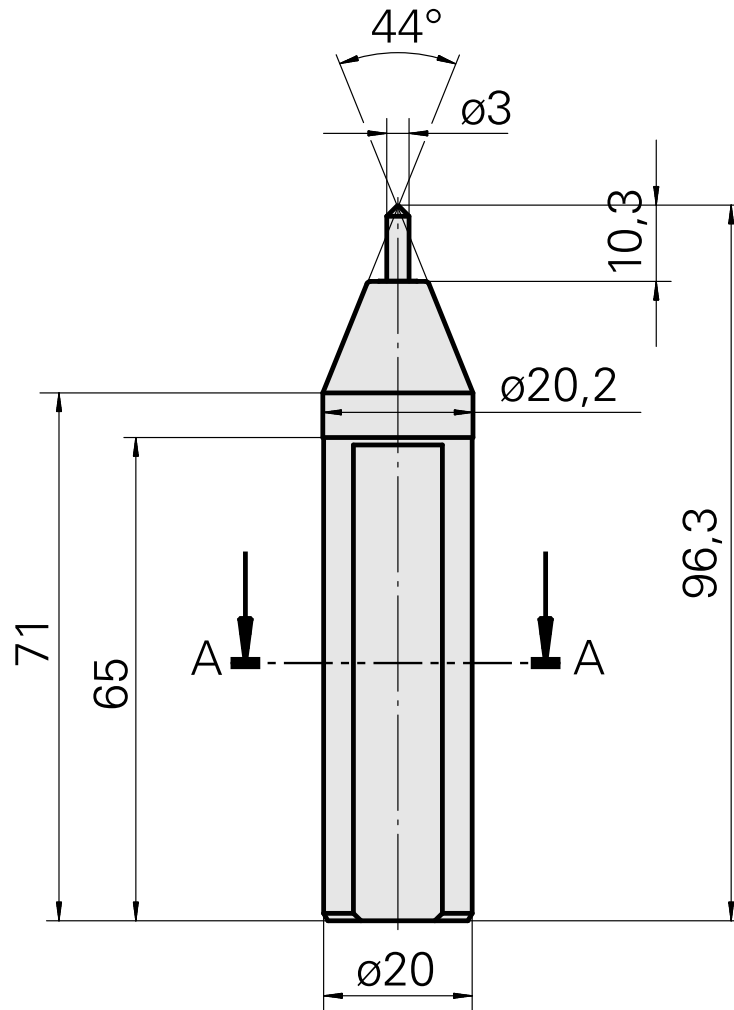
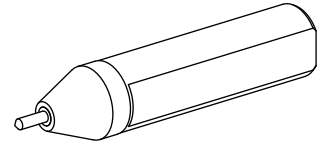
Technical data

TH accessories category

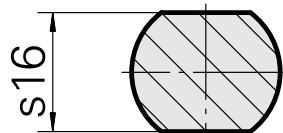
Marking tool

Tool mounting

20mm



A-A



Documents

Product notes

[DE \(pdf\)](#)

[FR \(pdf\)](#)

[PT \(pdf\)](#)

[EN \(pdf\)](#)