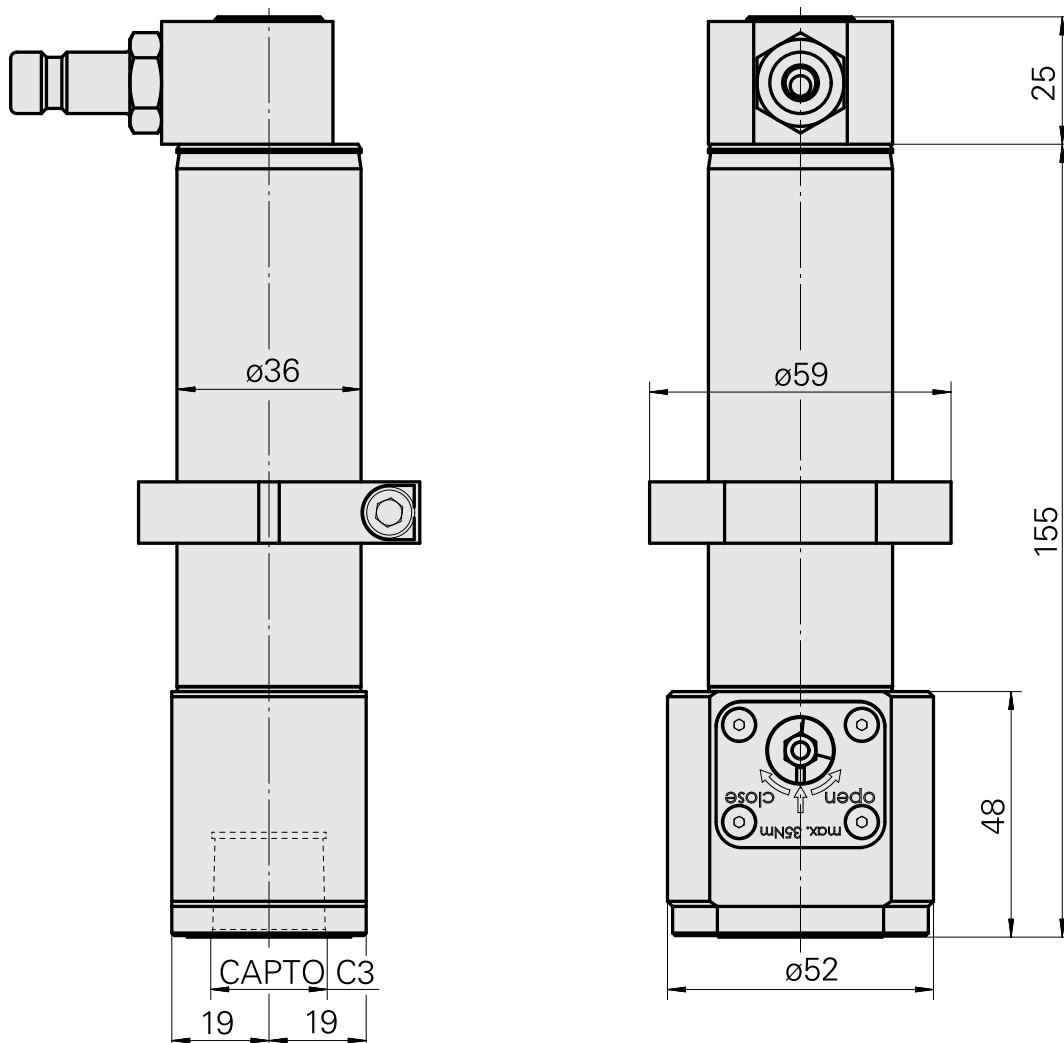
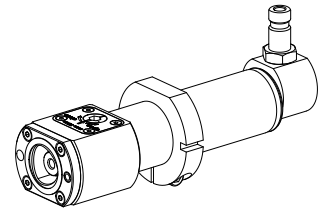


Drilling tool holder INDEX CAPTO C3

Technical data

| | |
|----------------------|--|
| Drive | not live |
| Fixation MS | Clamping ring D36 |
| Cooling | internal |
| Pressure | 80 bar |
| Mounting | INDEX CAPTO C3 |
| X [mm] | - |
| Y [mm] | - |
| Z [mm] | - |
| INDEX TRAUB products | MS32C • MS52C • MS32-6.2 • MS40-6 • MS40-8 • MS52-6.3 • MS32-6.3 |



Documents

Product notes

[FR \(pdf\)](#)

[EN \(pdf\)](#)

[DE \(pdf\)](#)

Accessories

Optional accessories

Other accessories

[QUICK COUPLING SP-006-0-WR513-11-2 Serie LP](#)

Product ID : 10837142

Previous product ID : 474940.0112

[QUICK DISCONNECT FITTING SP-006-1-WR013-11 Serie LP](#)

Product ID : 10186287

Previous product ID : 474946.25

[Adapter INDEX CAPTO C3 rotating](#)

Product ID : 10925971

Previous product ID : WZ9990.3000F

[Adapter INDEX CAPTO C3 fixed](#)

Product ID : 12062333

Previous product ID :
