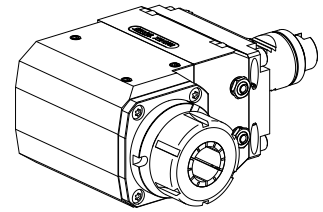


Milling unit VDI 40 1:1 ER40

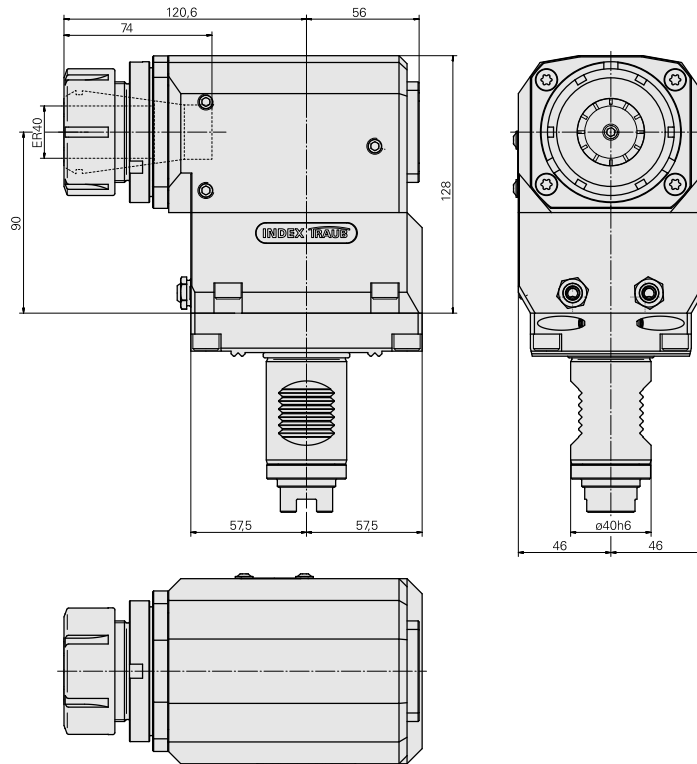
Technical data

| | |
|-----------------------------|--|
| Shank VDI | VDI 40 |
| Drive | Dog clutch |
| Fixation VDI | W serration |
| Speed ratio | 1:1 |
| Cooling | external, internal optional |
| Pressure | 80 bar |
| Mounting | ER40 |
| reversible 180° | yes |
| Direction | same as drive direction |
| X [mm] | 110 (4.33") |
| Y [mm] | – |
| Z [mm] | 120,6 (4,75") |
| INDEX TRAUB products | G250 • G420 • B400 • B500 • TNA500.2 • TNA400.2 • G400.2 • G500 • G520 • G300.2 • G320.2 • B400.3 • TNA400.3 • B500.3 • TNA500.3 |



Note

G400/500 Tool carrier at top: Can only be used in the direction of the main spindle



Documents

Product notes

[DE \(pdf\)](#)

[EN \(pdf\)](#)

[FR \(pdf\)](#)

[PT \(pdf\)](#)

Accessories

Required for operation

[Spanner](#)

Product ID : 10474438

Previous product ID : 490219.0401

| | | | |
|--|------------------|----------------------|------------------------------------|
| TH accessories category Tool | Mounting ER40 | Collet type ER 40 | Clamping nut type Female thread |
| Tools for Collet chucks Clamping nut wrench | | | |

[Hook wrench](#)

Product ID : 10567017

Previous product ID : 490340.0590

| | | |
|---------------------------------|---|--|
| TH accessories category Tool | Clamping nut type Outside diameter 55-62 mm | Tools for Collet chucks Hook wrench |
|---------------------------------|---|--|

Optional accessories

Tool holder accessories

[Coolant Supply, internal 160 bar](#)

Product ID : 10236572

Previous product ID : W9990284

[Coolant Supply, internal 80 bar](#)

Product ID : 10687215
Previous product ID : W9990290

[Clamping nut](#)

Product ID : 11029703
Previous product ID : 901939.0401

| | | | |
|---|------------------|----------------------|------------------------------------|
| TH accessories category Clamping nut | Mounting ER40 | Collet type ER 40 | Clamping nut type Female thread |
|---|------------------|----------------------|------------------------------------|

Other accessories

[Clamping collet](#)

Product ID : 10146045
Previous product ID : 901930.4---

[HOLLOW SCREW M14x1 M14x1](#)

Product ID : 10105238
Previous product ID : W67530.0818

[BUSHING 10 D x 6 D x 12,5](#)

Product ID : 10670360
Previous product ID : W67530.0824

[Coolant Nozzle](#)

Product ID : 11031912
Previous product ID : W67500.3208

[Nozzle M6 mit D1,6](#)

Product ID : 10147428
Previous product ID : W00019.0216

[Sealing kit](#)

Product ID : 12181693
Previous product ID :

10744754
W1455041

INDEX

[Blanking plug MIT O-RING 479105.1200](#)

Product ID : 10988240

Previous product ID : W68540.2014
