

## WFB 20-12 ER11, with internal clamping nut

### Technical data

TH accessories category

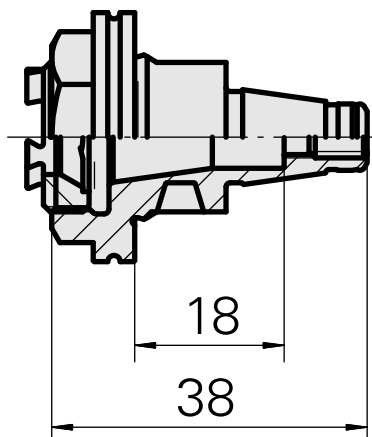
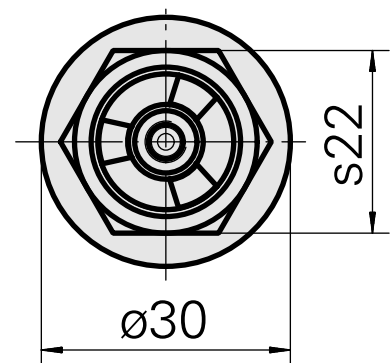
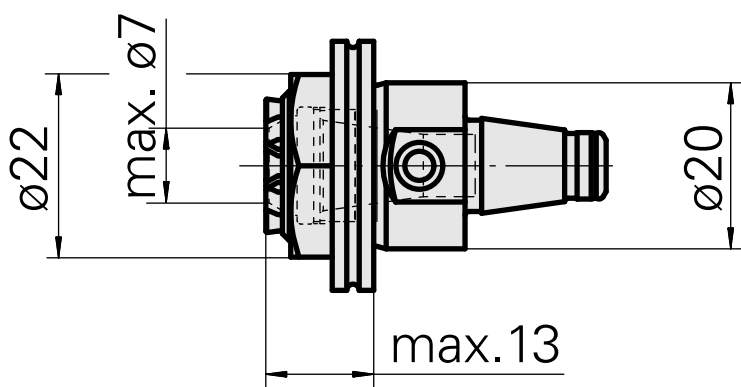
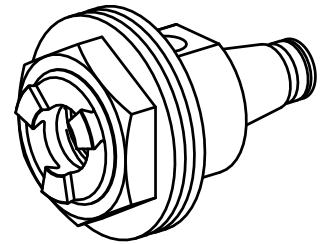
WFB 20-12

Mounting

ER11

Quick change inserts

collet mounting



---

## Documents

No downloads available for this product

## Accessories

Required for operation

### [Spanner](#)

Product ID : 10262607

Previous product ID : 490219.3111

TH accessories category Tool	Mounting ER11	Collet type ER 11	Clamping nut type Male thread
Tools for Collet chucks Clamping nut wrench			

### Optional accessories

#### Tool holder accessories

### [Clamping nut](#)

Product ID : 10604420

Previous product ID : 901939.5111

TH accessories category Clamping nut	Mounting ER11	Collet type ER 11	Clamping nut type Male thread
---	------------------	----------------------	----------------------------------

#### Other accessories

### [Clamping collet](#)

Product ID : 10086829

Previous product ID : 901930.0---

---

### [tapping tool collet ET-1-12](#)

Product ID : 10001911

Previous product ID : 3239--

---

10708109  
W9990113

**INDEX**

---

[tapping tool collet ER11GB](#)

Product ID : 10285407

Previous product ID : 900288

---

[Collet chuck](#)

Product ID : 10132309

Previous product ID : W999064-

---