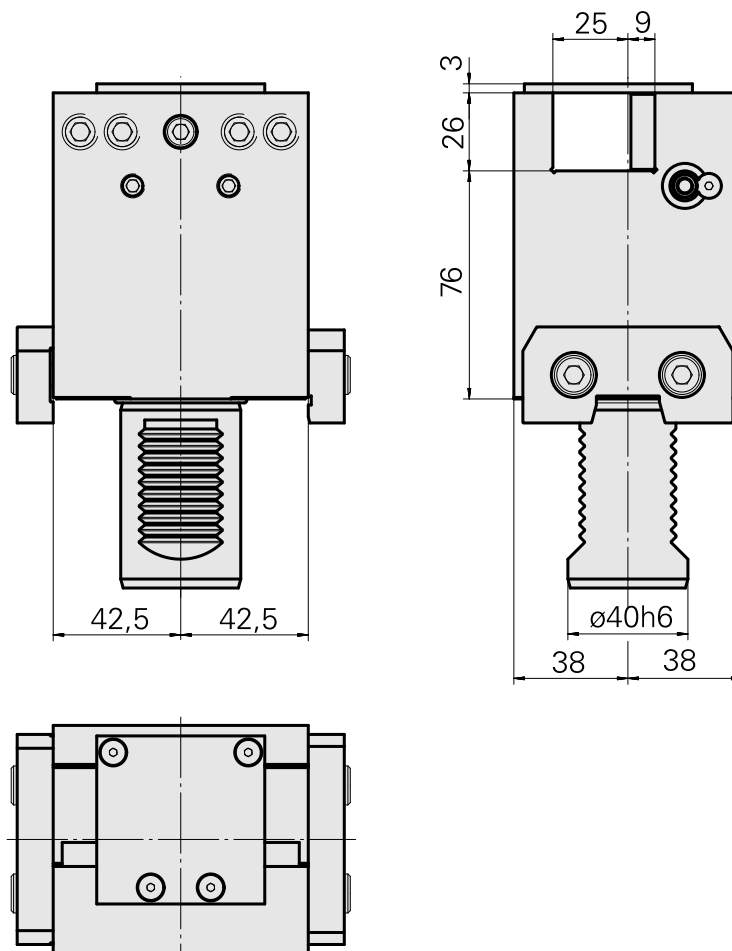
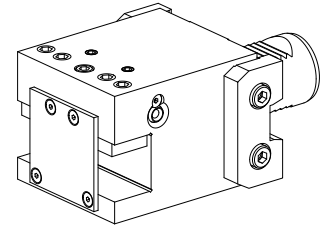


Turning tool holder VDI 40 square 25x25

Technical data

| | |
|-----------------------------|---|
| Shank VDI | VDI 40 |
| Drive | not live |
| Fixation VDI | Clamping and stop bar |
| Cooling | external |
| Pressure | 20 bar |
| Mounting | Square 25x25 |
| reversible 180° | yes |
| X [mm] | 76 (2.99") |
| Y [mm] | – |
| Z [mm] | 42.5 (1.67) |
| INDEX TRAUB products | G300 • G400 • V200 • G250 • V160C • V160G • V300 |



Documents

No downloads available for this product

Accessories

Optional accessories

Tool holder accessories

[Angle, height 5 mm \(0.19"\), width 5 mm \(0.19"\)](#)

Product ID : 10020057

Previous product ID : W9991111

TH accessories
category
Compensation bracket

Mounting
Square 25x25

Other accessories

[Coolant Nozzle](#)

Product ID : 11031912

Previous product ID : W67500.3208

[Nozzle M6 mit D1,6](#)

Product ID : 10147428

Previous product ID : W00019.0216

[Gib WN99-04.0005.0](#)

Product ID : 10429033

Previous product ID : W00016.0037

[Gib WN99-04.0004.0](#)

Product ID : 10925776

Previous product ID : W00016.0038

10702263
W1420000

INDEX

Countersunk screw M 4x10/T20 verzinkt 402314 10

Product ID : 10844426

Previous product ID : 410362.0410
