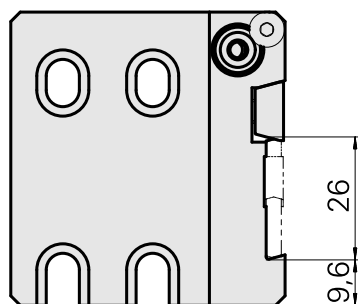
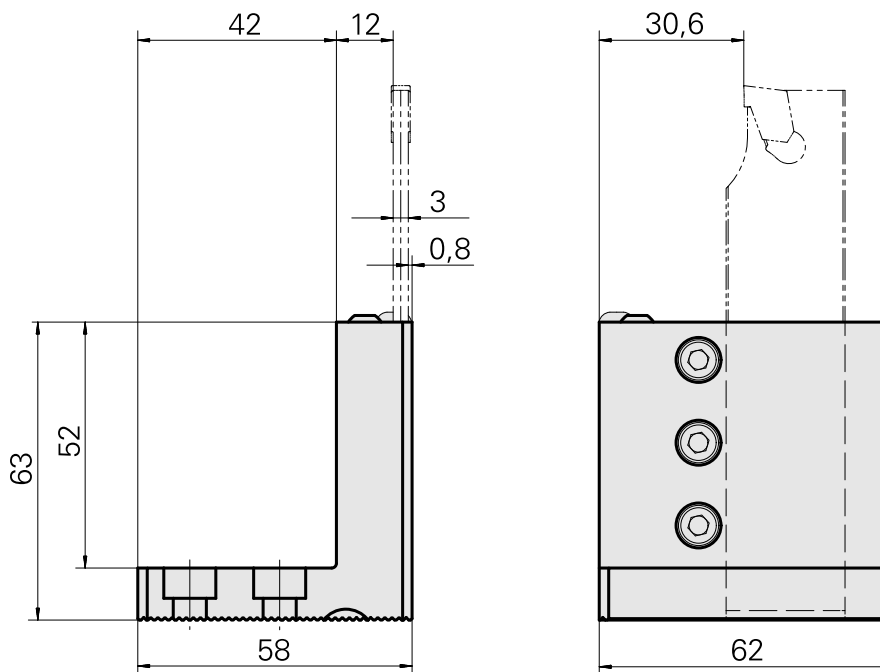
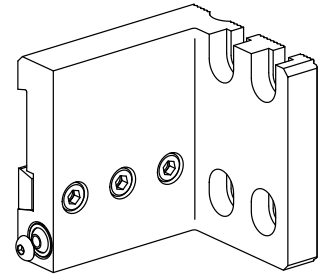


Grooving tool holding block Trapezoid 26, vertically adjustable

Technical data

| | |
|-----------------------------|---|
| Drive | not live |
| Cooling | external |
| Pressure | 20 bar |
| Mounting | Trapezoid 26x4 |
| reversible 180° | no |
| X [mm] | 63 (2.48") |
| Y [mm] | ±1.5 (±0.06) |
| Z [mm] | 58 (2.28) |
| INDEX TRAUB products | C42/65 • G160 • ABC • C100 • C200 • G200 • G200.2 • G220 • ABC.2 |



Documents

No downloads available for this product

Accessories

Optional accessories

Other accessories

[BALL SPRAY NOZZLE 10D/M4](#)

Product ID : 10679818

Previous product ID : 474550.0081

[lens head screw](#)

Product ID : 10878277

Previous product ID : 410243.0408
