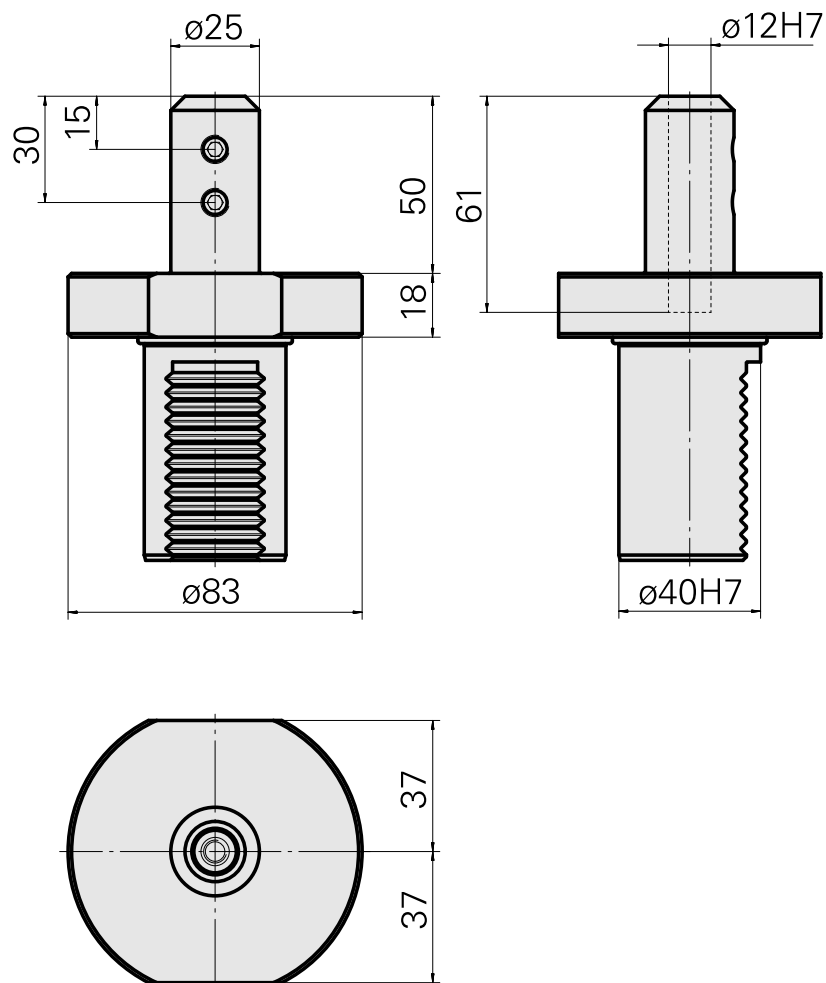
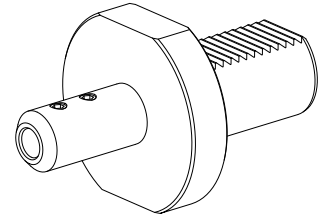


Drilling tool holder, Specially for the marking tool WriteStar

Technical data

| | |
|----------------------|--|
| Shank VDI | VDI 40 |
| Drive | not live |
| Fixation VDI | none |
| Mounting | D12 |
| reversible 180° | no |
| X [mm] | 68 (2.68") |
| Y [mm] | - |
| Z [mm] | - |
| INDEX TRAUB products | G300 • G400 • V200 • G250 • V160C • V160G • V300 • TNA400 • B400 • B500 • TNA500.2 • TNA400.2 • G420 • G400.2 • G500 • G520 • TNA400.3 • B400.3 • B500.3 • TNA500.3 |



Documents

No downloads available for this product

Accessories

Optional accessories

Tool holder accessories

[Marking tool, Tip angle/radius 90°/R0.5mm](#)

Product ID : 10448780

Previous product ID : W9990300

TH accessories
category
Marking tool

Tool mounting
12mm