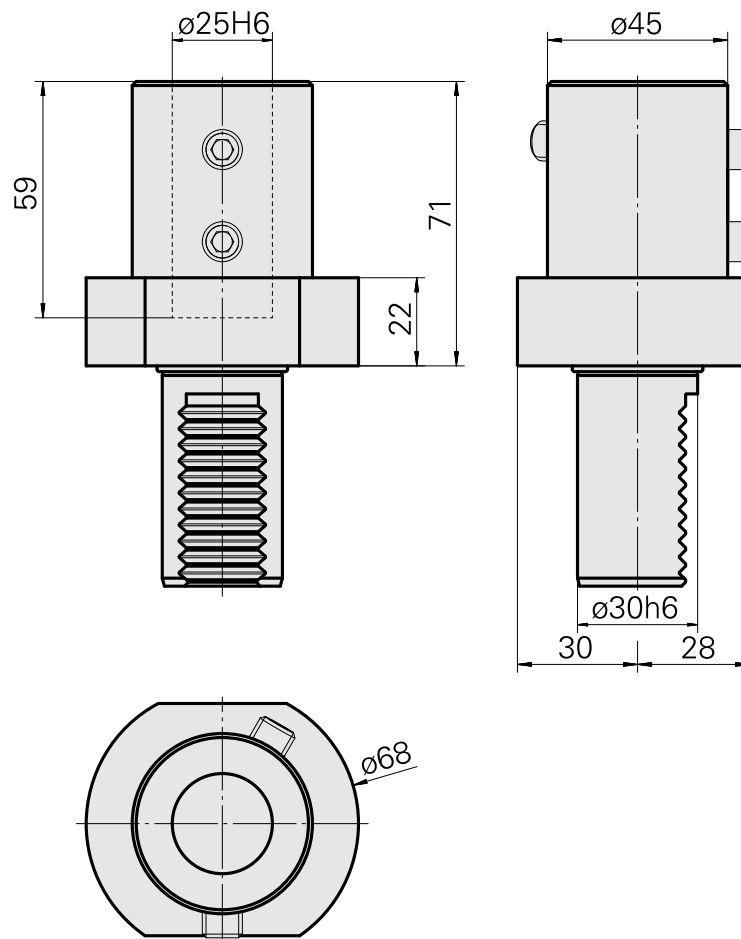
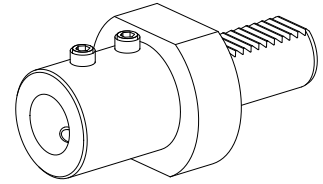


## Drilling tool holder VDI 30 DIN 1835 B/E, Form E1

### Technical data

Shank VDI	VDI 30
Drive	not live
Fixation VDI	none
Cooling	internal
Pressure	80 bar
Mounting	DIN 1835 B/E D25
reversible 180°	no
Data carrier	check tool station bore
X [mm]	71 (2.80")
Y [mm]	-
Z [mm]	-
INDEX TRAUB products	TNA300



## **Documents**

No downloads available for this product

## **Accessories**

Optional accessories

**Other accessories**

[Grub screw](#)

Product ID : 10371318

Previous product ID : W00013.0039

---