

## WFB 20-12 Shrink-fit mounting D3, 2-piece type

### Technical data

TH accessories category

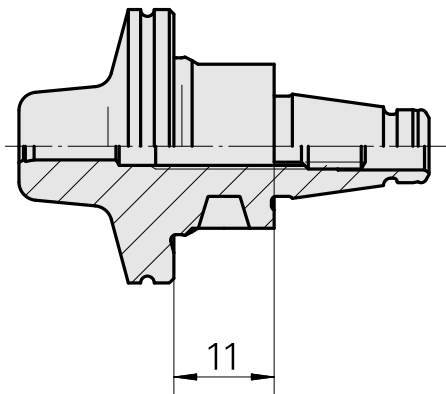
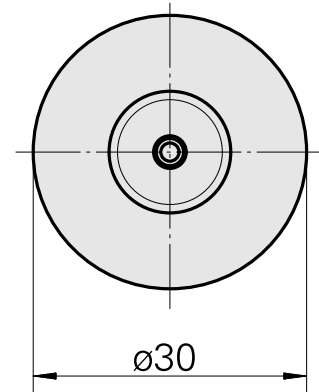
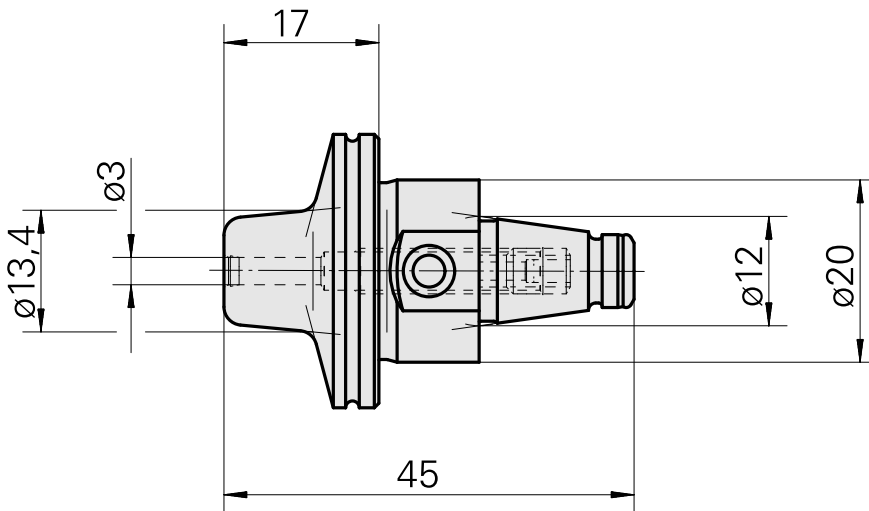
WFB 20-12

Mounting

Shrink-fit mounting D3

Quick change inserts

shrink-fit mounting



10658782  
836614

**INDEX**

---

## Documents

No downloads available for this product

## Accessories

Optional accessories

**Other accessories**

[Adjusting screw M 5x10](#)

Product ID : 10674886

Previous product ID : 326793

---