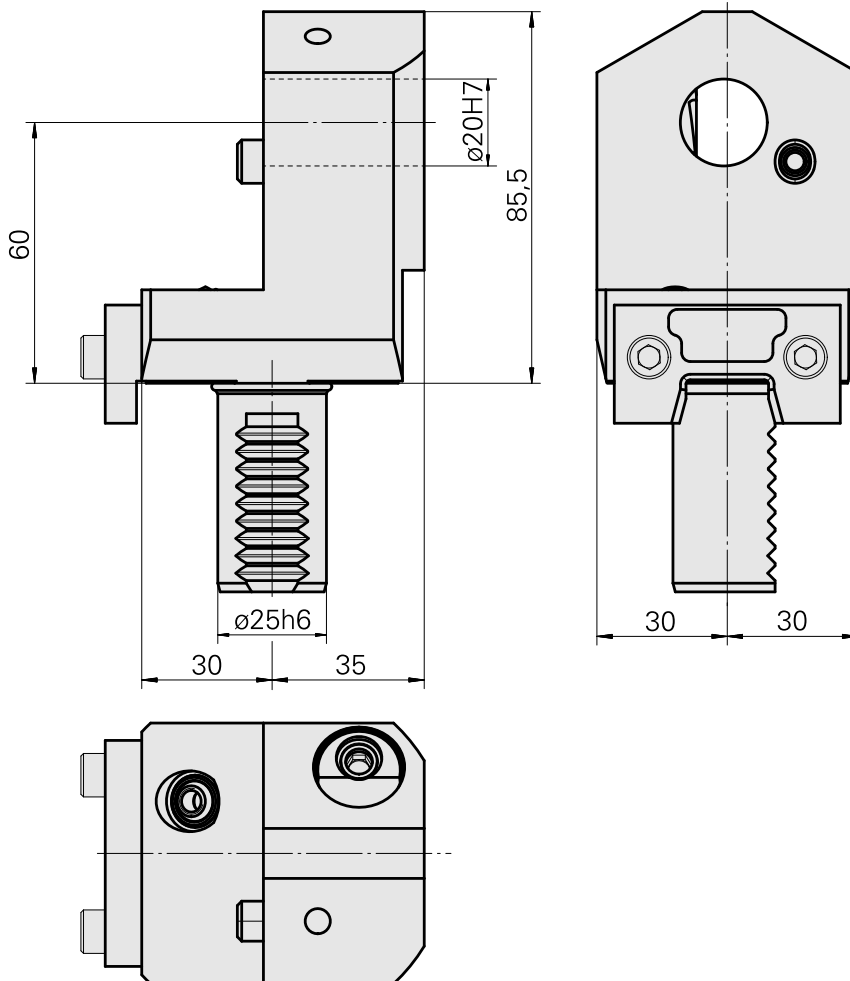


## Compensation holder

### Technical data

Shank VDI	VDI 25
Drive	not live
Fixation VDI	Vee bar
Cooling	external and internal
Pressure	40 bar
Mounting	VDI 20
reversible 180°	no
X [mm]	60 (2.36")
Y [mm]	–
Z [mm]	2 (0.08)
INDEX TRAUB products	ABC • ABC.2



## Documents

No downloads available for this product

## Accessories

Optional accessories

### Other accessories

#### [BALL SPRAY NOZZLE 12D/M6](#)

Product ID : 10602750

Previous product ID : 474550.0101

---

#### [Not defined](#)

Product ID : 10494656

Previous product ID : WL3300.9110F

---