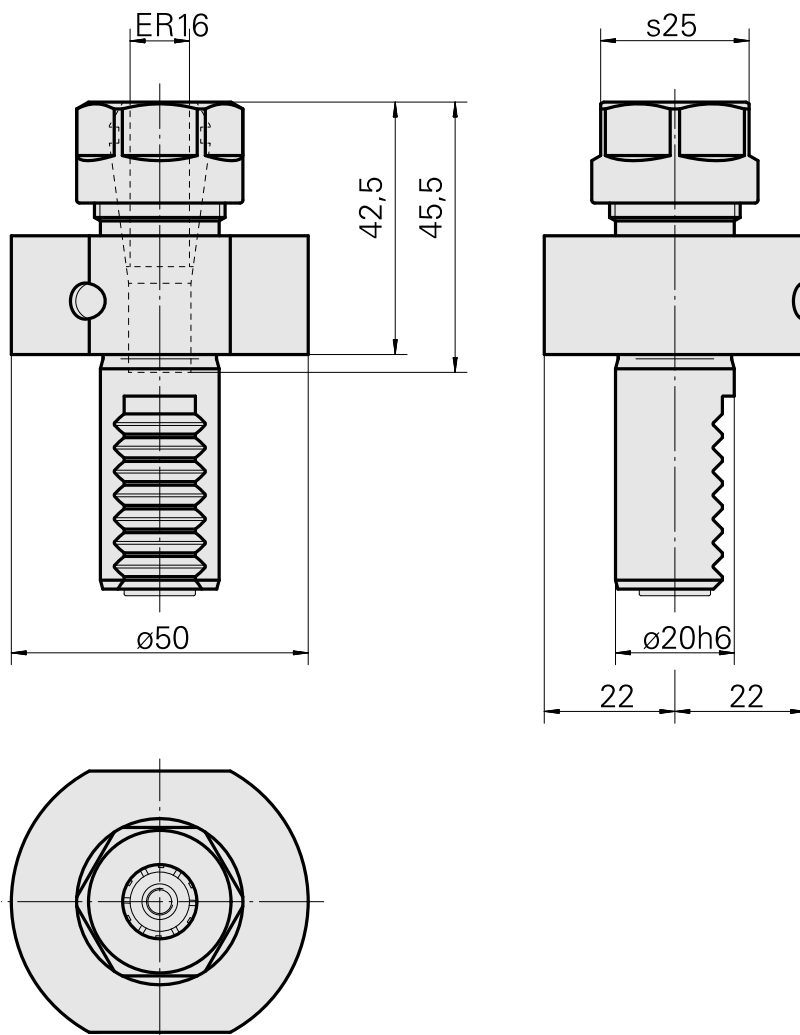
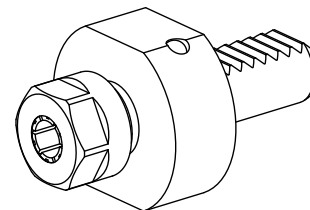


## Porta-brocas VDI 20 ER16

### Technical data

Haste VDI	VDI 20
Acionamento	não acionado
Fixação VDI	nenhuma
Refrigeração	interno
Pressão (até)	20 bar
Recepção	ER16
Reversível em 180°	não
X [mm]	42,5
Y [mm]	–
Z [mm]	–



---

## Documents

No downloads available for this product

## Accessories

Required for operation

### [Chave](#)

Product ID : 10966369

Previous product ID : 490219.0161

PF Categoria de acessórios Ferramenta	Recepção ER16	Tipo de pinça de aperto ER 16	Fixação do tipo porca Rosca
Ferramenta para pinças Chaves de boca			

## Optional accessories

### Tool holder accessories

#### [Porca tensora](#)

Product ID : 12061390

Previous product ID :

---

#### [Porca tensora](#)

Product ID : 10378189

Previous product ID : 901939.01

TH accessories category Clamping nut	Mounting ER16	Collet type ER 16	Clamping nut type Female thread
---	------------------	----------------------	------------------------------------

### Other accessories

#### [Clamping collet](#)

Product ID : 10834596

Previous product ID : 901930.1---

---

---

[Clamping collet](#)

Product ID : 10589709  
Previous product ID : W99903--

---

[tapping tool collet ET-1-16](#)

Product ID : 10542491  
Previous product ID : 3230--

---

[tapping tool collet](#)

Product ID : 10865233  
Previous product ID : WZ9990.9506F

---

[Porta pinça](#)

Product ID : 10870393  
Previous product ID : W999065-

---

[Pinça de aberto, selado](#)

Product ID : 10433061  
Previous product ID : W999083-

---

[Disco](#)

Product ID : 12061397  
Previous product ID :

---

[Disco](#)

Product ID : 12061398  
Previous product ID :

---

[Chave](#)

Product ID : 12061854  
Previous product ID :

---