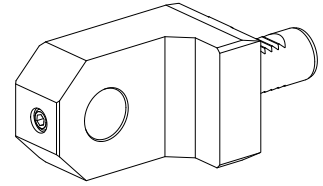


## Bar stop VDI 25 D25 (0.98 ")

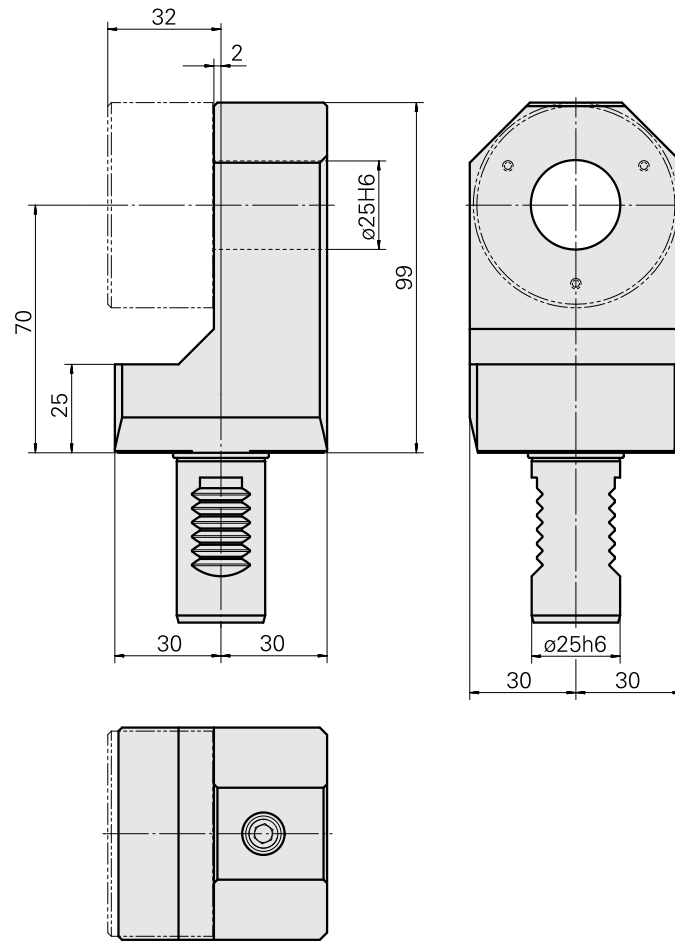
### Technical data

<b>Shank VDI</b>	VDI 25
<b>Drive</b>	not live
<b>Fixation VDI</b>	none
<b>Mounting</b>	D25
<b>reversible 180°</b>	yes
<b>Data carrier</b>	check tool station bore
<b>X [mm]</b>	70 (2.76")
<b>Y [mm]</b>	–
<b>Z [mm]</b>	2 (0.08)
<b>INDEX TRAUB products</b>	C42/65 • G160 • ABC • C100 • C200 • G200 • G200.2 • G220 • ABC.2 • G220.3 • TNX220.3 • TNX200.3 • G200.3 • R200 • TNX160.2



### Note

Bar stop D58 10900227 or D85 10452051 must be ordered separately.



## Documents

No downloads available for this product

## Accessories

Required for operation

### [Bar stop D58 \(2.28 "\) , live](#)

Product ID : 10900227

Previous product ID : W9990159

Drive not live	Mounting D58	X [mm] -	Y [mm] -
Z [mm] 30 (1.18)	INDEX TRAUB products C42/65 • G160 • ABC • B400 • C100 • C200 • G200 • G200.2 • G220 • TNX65/42 • TNA400.2 • G420 • B500 • TNA500.2 • G400.2 • G500 • G520 • ABC.2 • G300.2 • G320.2 • G200.3 • G220.3 • TNX200.3 • TNX220.3 • B400.3 • B500.3 • TNA400.3 • TNA500.3		

Bar stop D85 (3.35 "), live

Product ID : 10452051

Previous product ID : W9990160

Drive	Mounting	X [mm]	Y [mm]
not live	D85	-	-
Z [mm] 30 (1.18)	INDEX TRAUB products C42/65 • G160 • ABC • B400 • C100 • C200 • G200 • G200.2 • G220 • G250 • TNX65/42 • TNA400.2 • B500 • TNA500.2 • G420 • G400.2 • G500 • G520 • ABC.2 • G300.2 • G320.2 • B400.3 • B500.3 • TNA400.3 • TNA500.3		