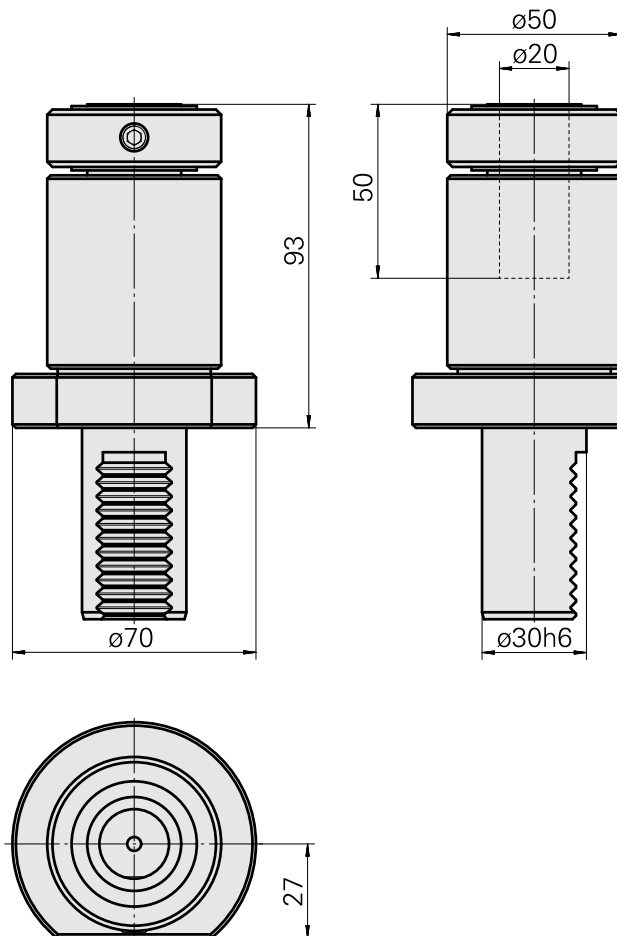
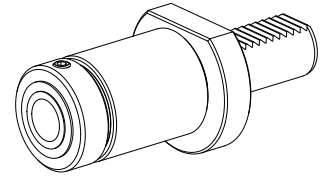


Reaming tool holder VDI 30 D20 (0.79 "), self-centering

Technical data

| | |
|----------------------|------------------------------------|
| Shank VDI | VDI 30 |
| Drive | not live |
| Fixation VDI | none |
| Cooling | internal |
| Pressure | 40 bar |
| Mounting | D20 |
| reversible 180° | no |
| Data carrier | check tool station bore |
| X [mm] | 93 (3.66") |
| Y [mm] | - |
| Z [mm] | - |
| INDEX TRAUB products | V100 • V200 • V160C • V160G • V300 |



Documents

No downloads available for this product

Accessories

Optional accessories

Other accessories

[Mounting sleeve with collar D20](#)

Product ID : 10063939

Previous product ID : W68510.04--
