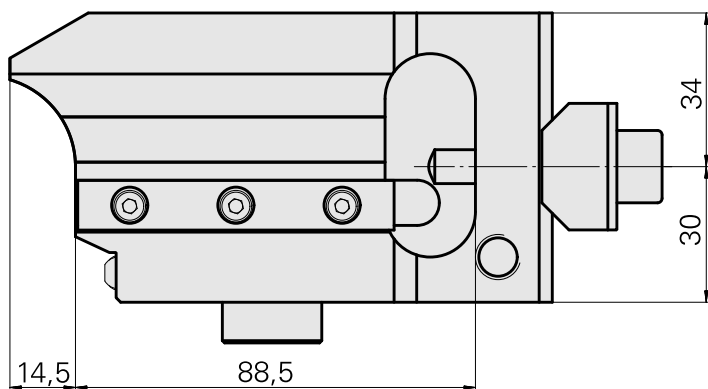
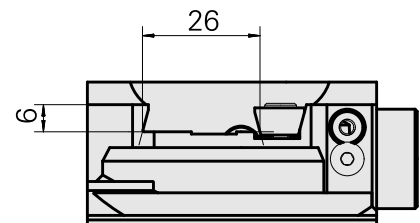
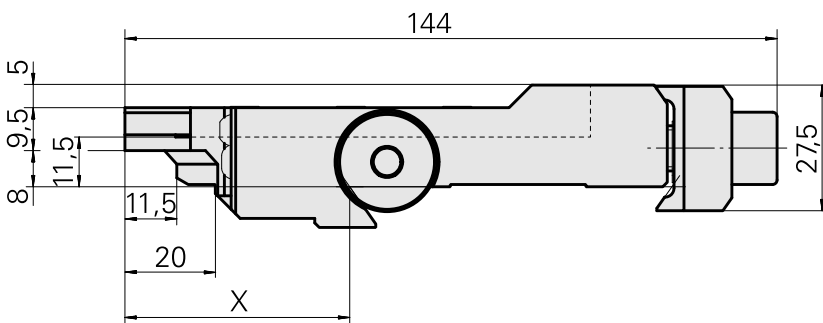
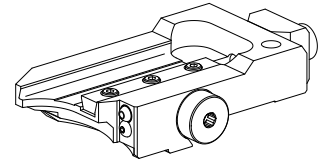


## Grooving tool holder MS16/MS22 Trapezoid

### Technical data

<b>Slide system MS</b>	MS16/MS22
<b>Drive</b>	not live
<b>Fixation MS</b>	Dovetail
<b>Cooling</b>	external
<b>Pressure</b>	20 bar
<b>Direction</b>	right-handed run
<b>Mounting</b>	Trapezoid 26x4
<b>X [mm]</b>	49.7 (1.96")
<b>Y [mm]</b>	–
<b>Z [mm]</b>	11.5 (0.45)
<b>INDEX TRAUB products</b>	A100 • MS16-6 • MS22-6 • MS22-8 • MS24-6 • MS24-8 • MS16-6 Plus



X	49,7
---	------

## Documents

No downloads available for this product

## Accessories

Optional accessories

### Other accessories

#### [Screw Nacharb. an 410620.1030](#)

Product ID : 10855317

Previous product ID : W00013.0046

---

#### [Lens head screw](#)

Product ID : 10344546

Previous product ID : 410243.0406

---

#### [Ball nozzle 8D/M3,5](#)

Product ID : 10174644

Previous product ID : 474550.0071

---