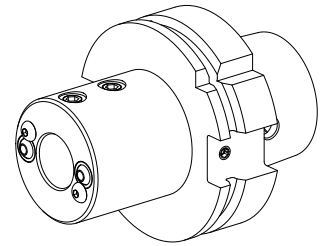

Drilling tool holder HSK 80 B D20 (0.79)

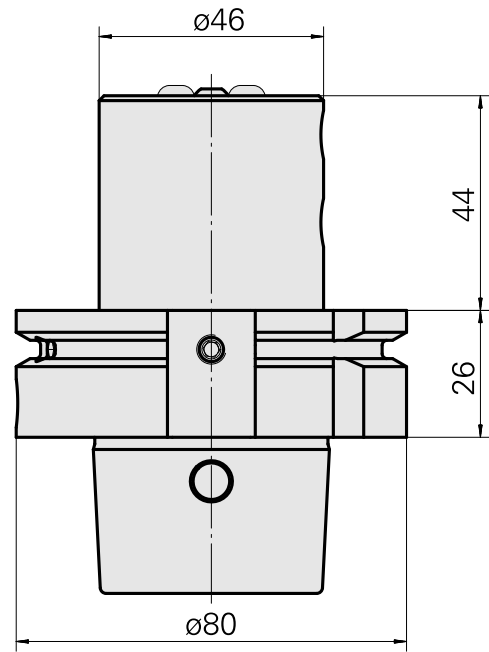
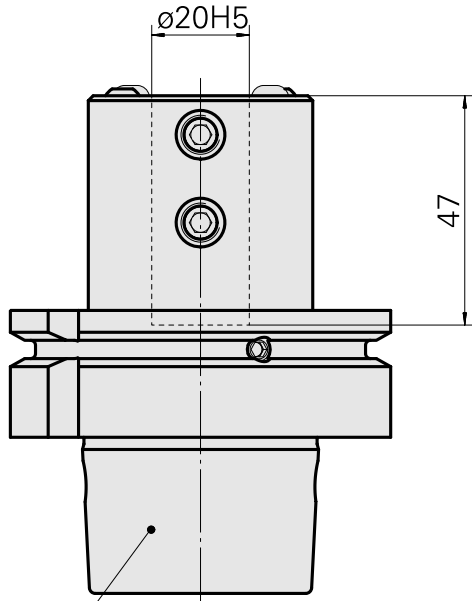
Technical data

| | |
|-----------------------------|------------|
| Shank HSK | HSK 80 |
| Form HSK | B |
| Mounting | D20 |
| Cooling | external |
| Pressure | 40 bar |
| X [mm] | 70 (2.76") |
| INDEX TRAUB products | G400 |

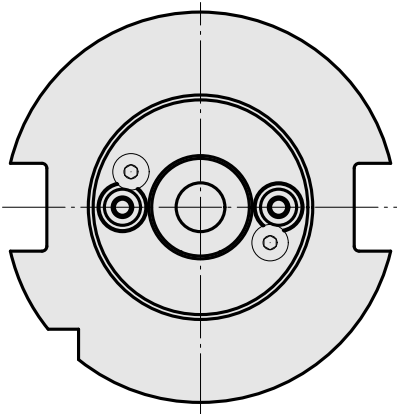


Note

Form B - cooling lubricant is supplied via the collar!



DIN 69893
HSK 80 B



Documents

No downloads available for this product

Accessories

Optional accessories

Other accessories

[Mounting sleeve with collar D20](#)

Product ID : 10063939

Previous product ID : W68510.04--
