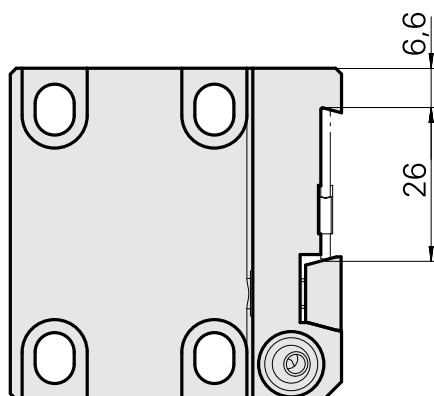
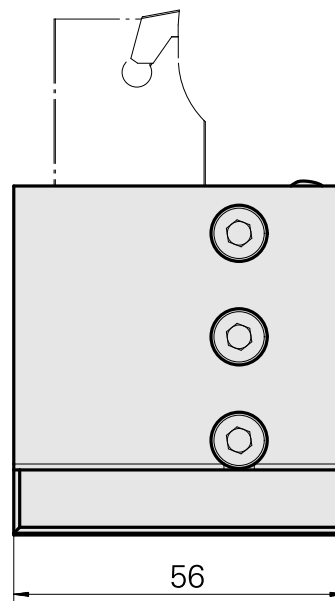
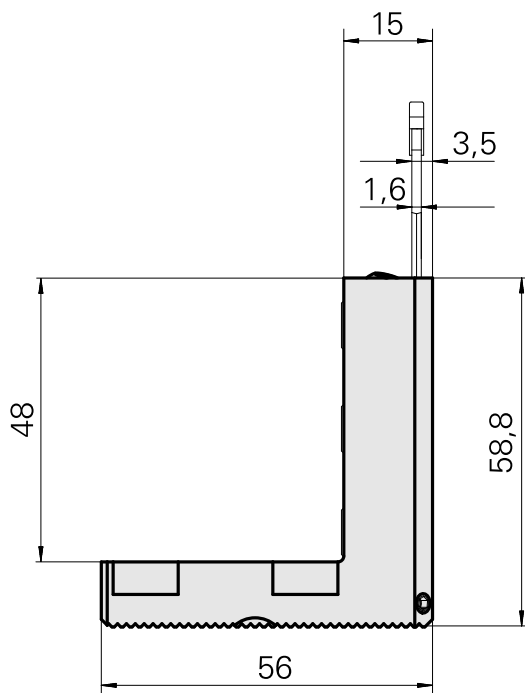


Grooving tool holding block Trapezoid 26, vertically adjustable

Technical data

| | |
|----------------------|----------------|
| Drive | not live |
| Cooling | external |
| Pressure | 20 bar |
| Mounting | Trapezoid 26x4 |
| X [mm] | 59 (2.32") |
| Y [mm] | – |
| Z [mm] | 18.5 (0.73) |
| INDEX TRAUB products | C100 |



Documents

No downloads available for this product

Accessories

Optional accessories

Other accessories

[BALL SPRAY NOZZLE 10D/M4](#)

Product ID : 10679818

Previous product ID : 474550.0081
