

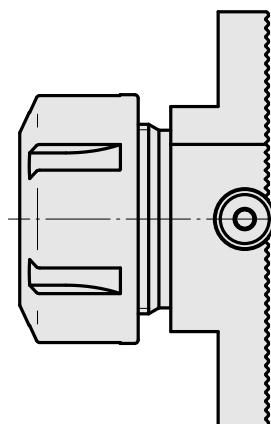
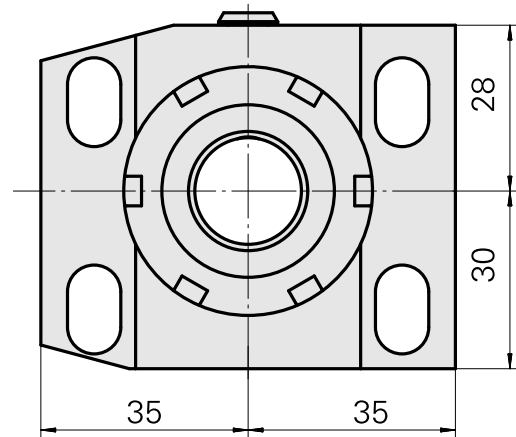
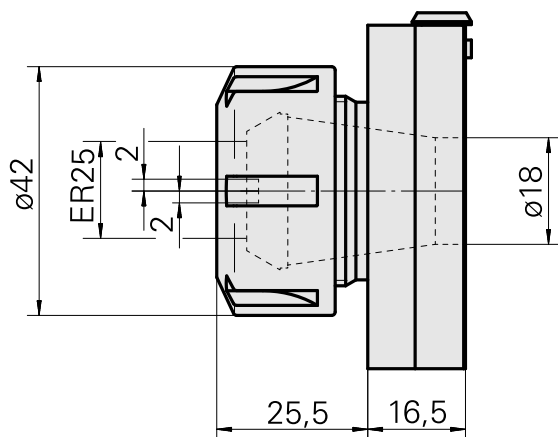
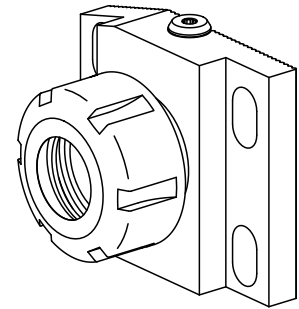
## Drill holding block ER25

### Technical data

<b>Drive</b>	not live
<b>Cooling</b>	external and internal
<b>Pressure</b>	40 bar
<b>Mounting</b>	ER25
<b>X [mm]</b>	30 (1.18")
<b>Y [mm]</b>	-
<b>Z [mm]</b>	-

### INDEX TRAUB products

C42/65 • G160 • G300 • G400 •  
TNX80 • V100 • V200 • A200-6 •  
ABC • C100 • C200 • G200 • G200.2  
• G220 • G250 • TNX65/42 • V160C  
• V160G • V300 • TNA300 • B400  
• B500 • TNA500.2 • TNA400.2  
• ABC.2 • B400.3 • B500.3 •  
TNA400.3 • TNA500.3



---

## Documents

No downloads available for this product

## Accessories

Required for operation

### [Spanner](#)

Product ID : 10802433

Previous product ID : 490219.0251

TH accessories category Tool	Mounting ER25	Collet type ER 25	Clamping nut type Female thread
Tools for Collet chucks Clamping nut wrench			

### Optional accessories

#### Tool holder accessories

### [Clamping nut](#)

Product ID : 10193990

Previous product ID : 901939.0251

TH accessories category Clamping nut	Mounting ER25	Collet type ER 25	Clamping nut type Female thread
---	------------------	----------------------	------------------------------------

#### Other accessories

### [Clamping collet](#)

Product ID : 10206464

Previous product ID : 901930.3---

---

### [tapping tool collet ET-1-25](#)

Product ID : 10191234

Previous product ID : 3224--

---

10374519  
W9990092

**INDEX**

---

[tapping tool collet](#)

Product ID : 10256515  
Previous product ID : WZ9990.9507F

---

[Collet chuck](#)

Product ID : 10029756  
Previous product ID : W999067-

---