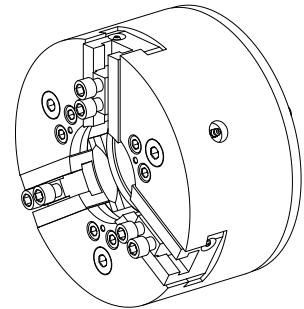


## 3-jaw chuck

### Technical data

<b>Spindle clearance</b>	102mm
<b>Machining side</b>	Main spindle
<b>manufacturer product line</b>	
<b>Spindle mounting</b>	KK 8
<b>manufacturer product line</b>	Roehm



No 3-side view is currently available for this product

10355033  
908127.5221

**INDEX**

---

## **Documents**

No downloads available for this product