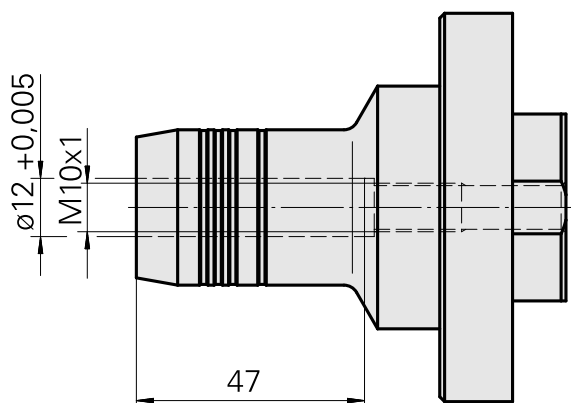
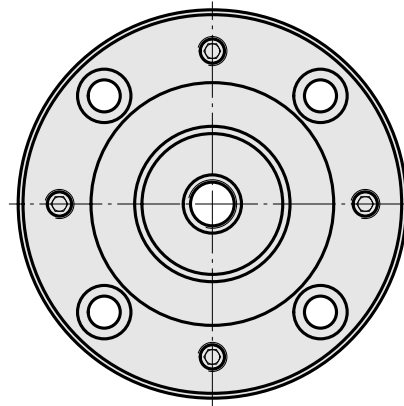
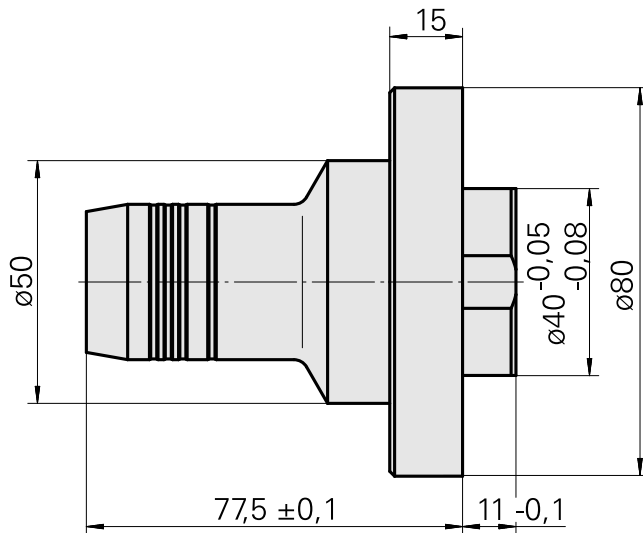


## Drill holding block Hydraulic expansion

### Technical data

<b>Drive</b>	not live
<b>Fixation VDI</b>	none
<b>Cooling</b>	external and internal
<b>Pressure</b>	80 bar
<b>Mounting</b>	Hydraulic expansion chuck D12
<b>X [mm]</b>	77.5 (3.05")
<b>Y [mm]</b>	-
<b>Z [mm]</b>	-
<b>INDEX TRAUB products</b>	G160 • ABC • C100 • C200 • G200 • G200.2 • G220 • ABC.2



## **Documents**

### **Product notes**

[DE \(pdf\)](#)

[EN \(pdf\)](#)

[FR \(pdf\)](#)

## **Accessories**

Optional accessories

### **Other accessories**

[Coolant supply für Hydrodehnspannfutter](#)

Product ID : 10754613

Previous product ID : W9990310

---