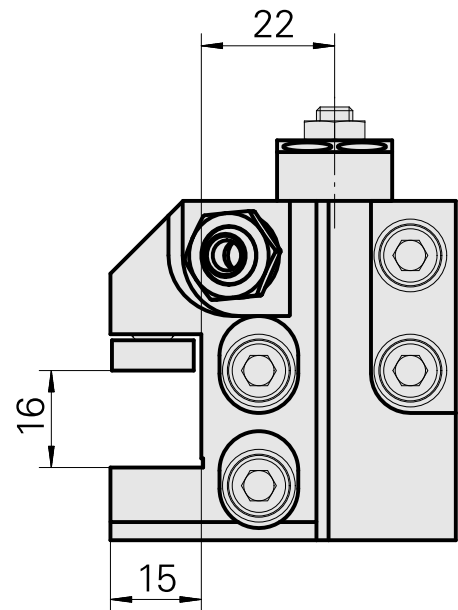
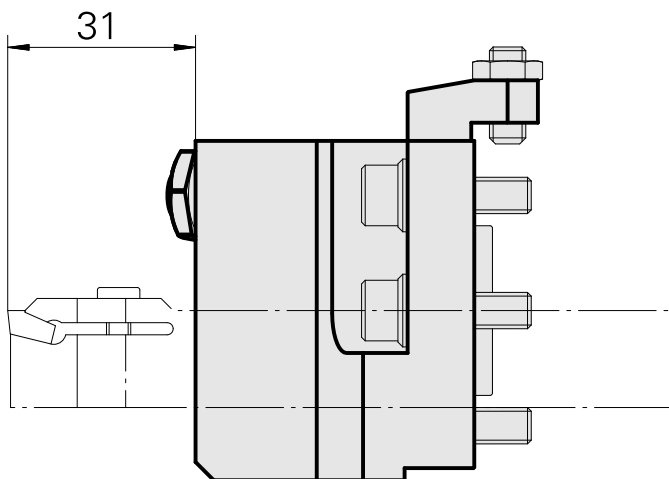


## Grooving tool holding block Square 16x16, adjustable in Y direction

### Technical data

|                      |                      |
|----------------------|----------------------|
| Drive                | not live             |
| Cooling              | external             |
| Pressure             | 80 bar               |
| Direction            | left-handed run      |
| Mounting             | Square 16x16         |
| X [mm]               | 46 (1.81")           |
| Y [mm]               | –                    |
| Z [mm]               | 22 (0.87)            |
| INDEX TRAUB products | MS16-6 • MS16-6 Plus |



## Documents

No downloads available for this product

## Accessories

Optional accessories

### Other accessories

#### [Coolant Nozzle](#)

Product ID : 11031912

Previous product ID : W67500.3208

---

#### [HOLLOW SCREW M14x1 M14x1](#)

Product ID : 10105238

Previous product ID : W67530.0818

---

#### [BUSHING 10 D x 6 D x 12,5](#)

Product ID : 10670360

Previous product ID : W67530.0824

---

#### [Nozzle M6 mit D1,6](#)

Product ID : 10147428

Previous product ID : W00019.0216

---