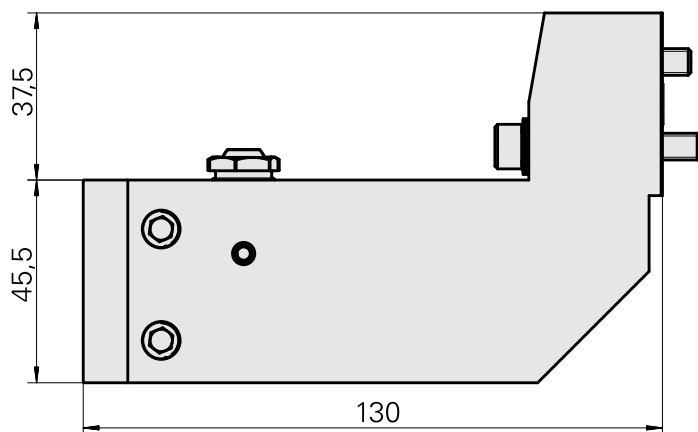
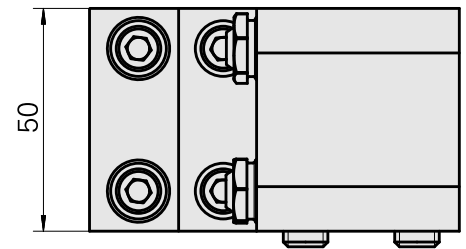


Mount D25

Technical data

Drive	not live
Cooling	external
Pressure	80 bar
Mounting	D25
X [mm]	112.6 (4.43")
Y [mm]	–
Z [mm]	–
INDEX TRAUB products	MS16-6 • MS16-6 Plus



Documents

No downloads available for this product

Accessories

Optional accessories

Other accessories

[Mounting sleeve with collar D25](#)

Product ID : 10070544

Previous product ID : W62221.41--
