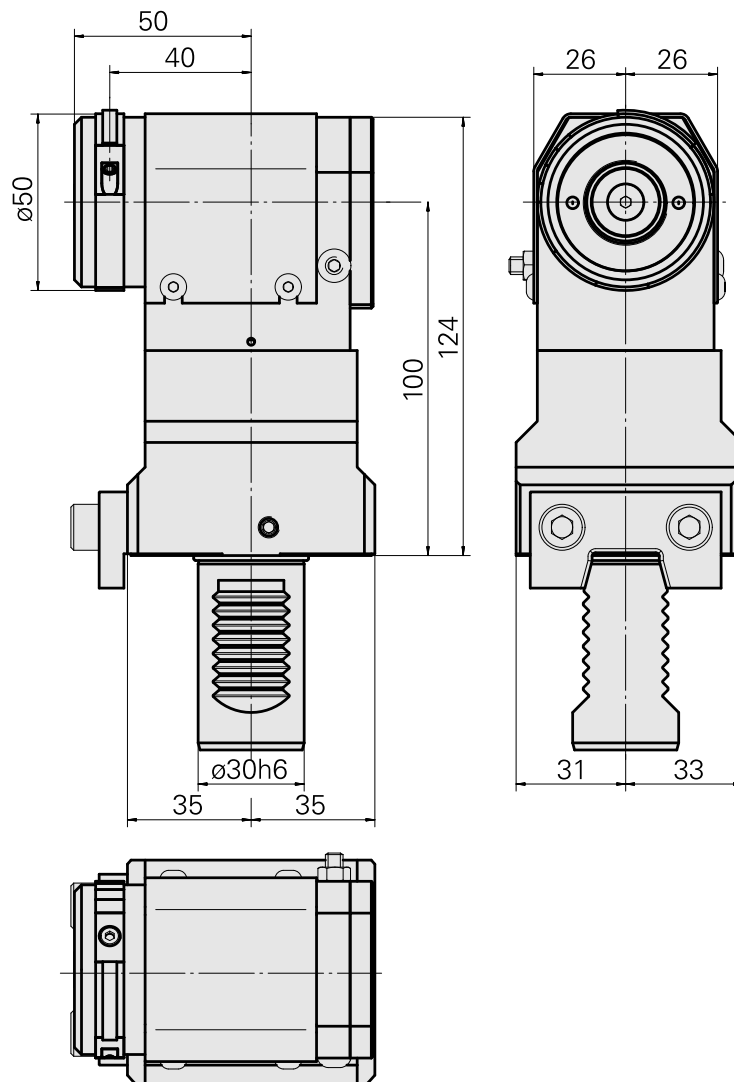
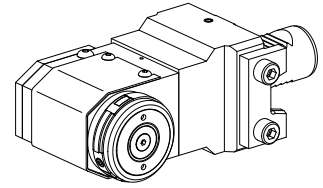


## Embossing roll holder VDI 30

### Technical data

Shank VDI	VDI 30
Drive	not live
Fixation VDI	Vee bar
reversible 180°	yes
Data carrier	check tool station bore
X [mm]	100 (3.94")
Y [mm]	-
Z [mm]	-
INDEX TRAUB products	G160 • G300 • A200-6 • G250



---

## Documents

No downloads available for this product

## Accessories

### Optional accessories

#### Tool holder accessories

#### [Embossing roller, D50 mm \(1.96"\)](#)

Product ID : 10609077

Previous product ID : W63380.0030

TH accessories  
category  
Embossing roller

#### [Embossing roller, D60 mm \(2.36"\)](#)

Product ID : 10446615

Previous product ID : W63380.0060

TH accessories  
category  
Embossing roller

#### Other accessories

#### [Setting gauge](#)

Product ID : 10677697

Previous product ID : W68220.4150

---

#### [Stop bar](#)

Product ID : 10713062

Previous product ID : W68220.4104

---

#### [Clamping bar](#)

Product ID : 10967524

Previous product ID : W68220.4106

---

10297492  
W1330013

**INDEX**

---

ZI\_SCREW 8X16

Product ID : 10360891

Previous product ID : 410260.0816

---