

WFB 32-20 for VC.. 1103.., right, without gripper groove

Technical data

TH accessories category

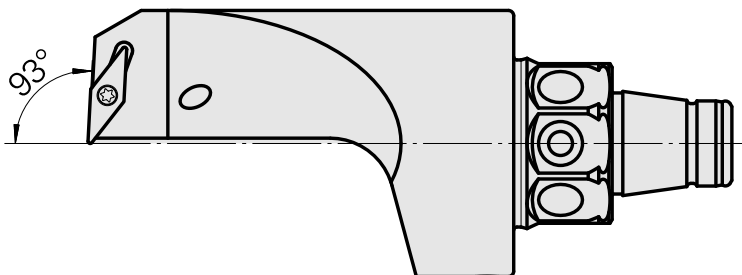
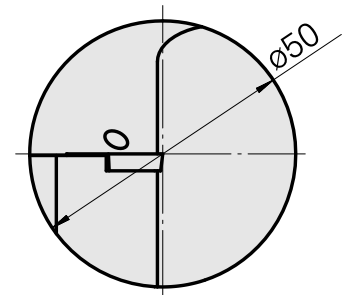
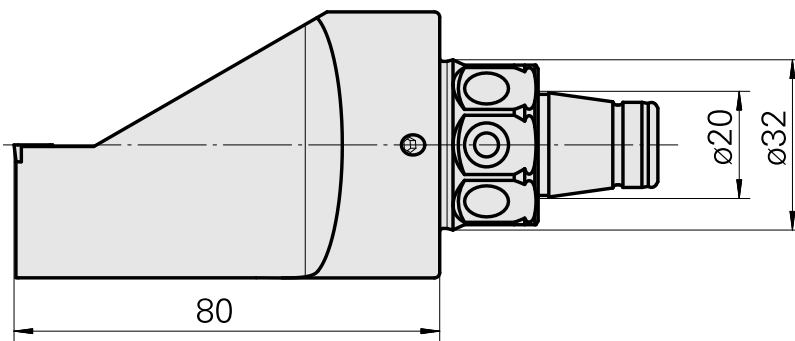
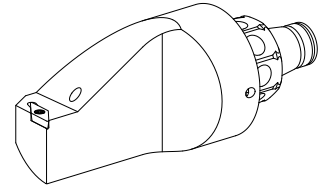
WFB 32-20

Mounting

for VC.. 1103..

Quick change inserts

Turning tool holder



Documents

No downloads available for this product