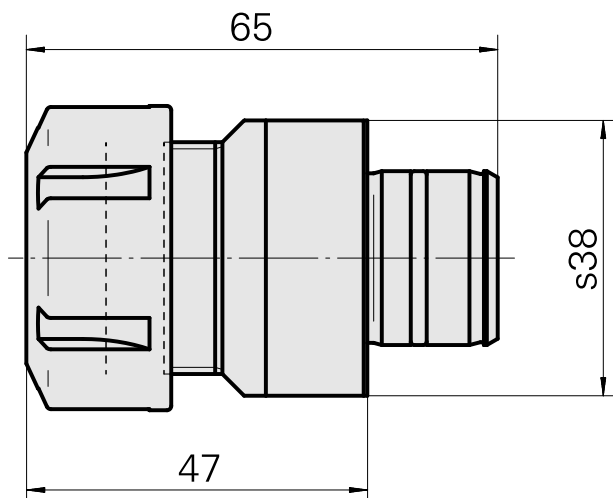
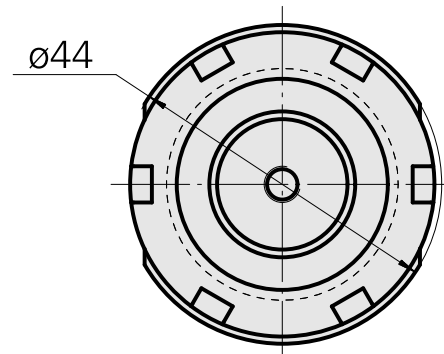
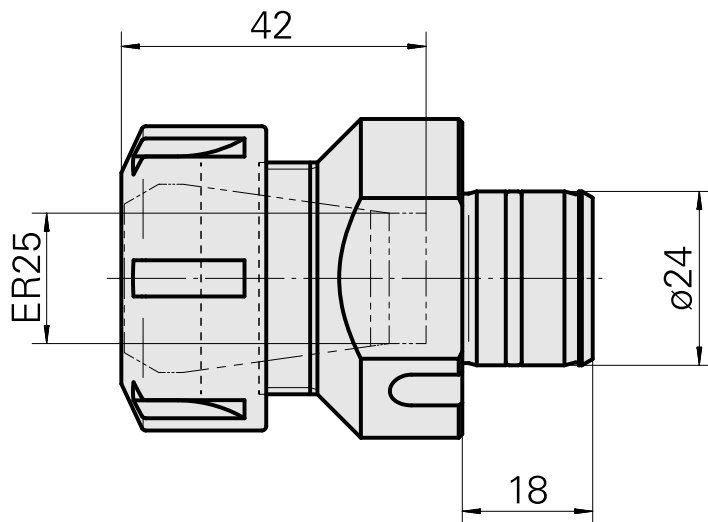
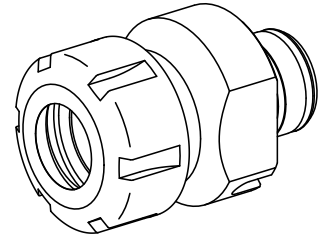


## Mount ER25

### Technical data

Drive	not live
Cooling	internal
Mounting	ER25
Pressure	80 bar
X [mm]	47 (1.85")
Y [mm]	-
Z [mm]	-
INDEX TRAUB products	ABC65 • TNK42/65 • TNL18 • TNL20 • TNL32-11 • TNL32 • TNL32-11 compact • TNL20-11 • TNL32 compact • TNK40.2-10 • TNL20.2 • TNK40.2



---

## Documents

No downloads available for this product

## Accessories

Required for operation

### [Spanner](#)

Product ID : 10802433

Previous product ID : 490219.0251

TH accessories category Tool	Mounting ER25	Collet type ER 25	Clamping nut type Female thread
Tools for Collet chucks Clamping nut wrench			

### Optional accessories

#### Tool holder accessories

### [Clamping nut](#)

Product ID : 10193990

Previous product ID : 901939.0251

TH accessories category Clamping nut	Mounting ER25	Collet type ER 25	Clamping nut type Female thread
---	------------------	----------------------	------------------------------------

#### Other accessories

### [Clamping collet](#)

Product ID : 10206464

Previous product ID : 901930.3---

---

### [tapping tool collet ET-1-25](#)

Product ID : 10191234

Previous product ID : 3224--

---

10195583  
W9990562

**INDEX**

---

[tapping tool collet](#)

Product ID : 10256515  
Previous product ID : WZ9990.9507F

---

[Collet chuck](#)

Product ID : 10029756  
Previous product ID : W999067-

---

[Clamping collet, sealed](#)

Product ID : 10698406  
Previous product ID : W999085-

---