

## Grooving tool holding block, vertically adjustable

### Technical data

Drive  
reversible 180°

X [mm]

Y [mm]

Z [mm]

INDEX TRAUB products

not live

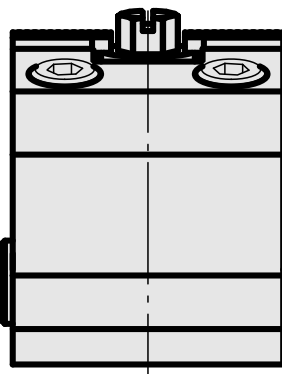
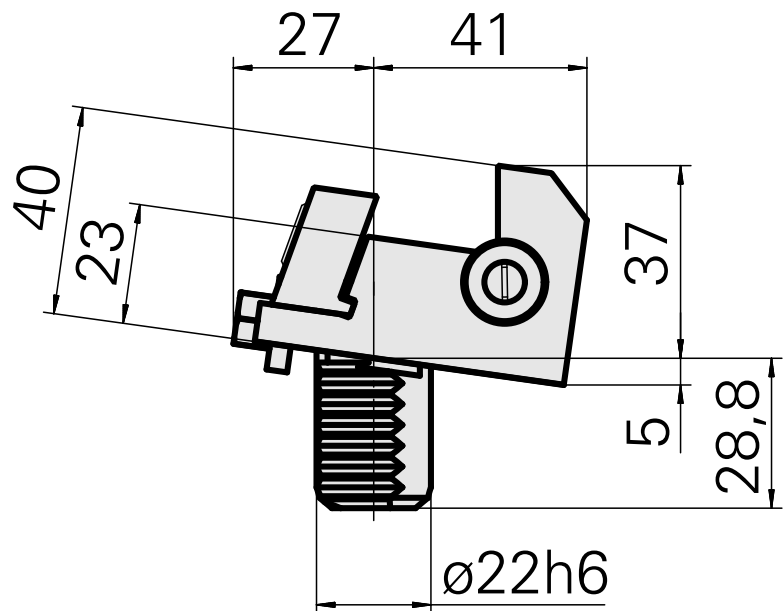
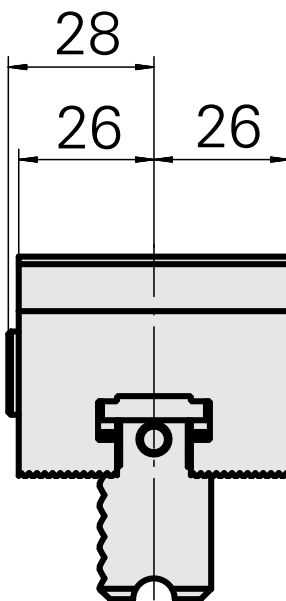
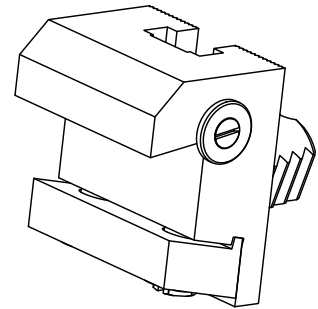
yes

40 (1.57")

–

–

ABC • ABC.2



10170595  
W9990244

**INDEX**

---

## **Documents**

No downloads available for this product