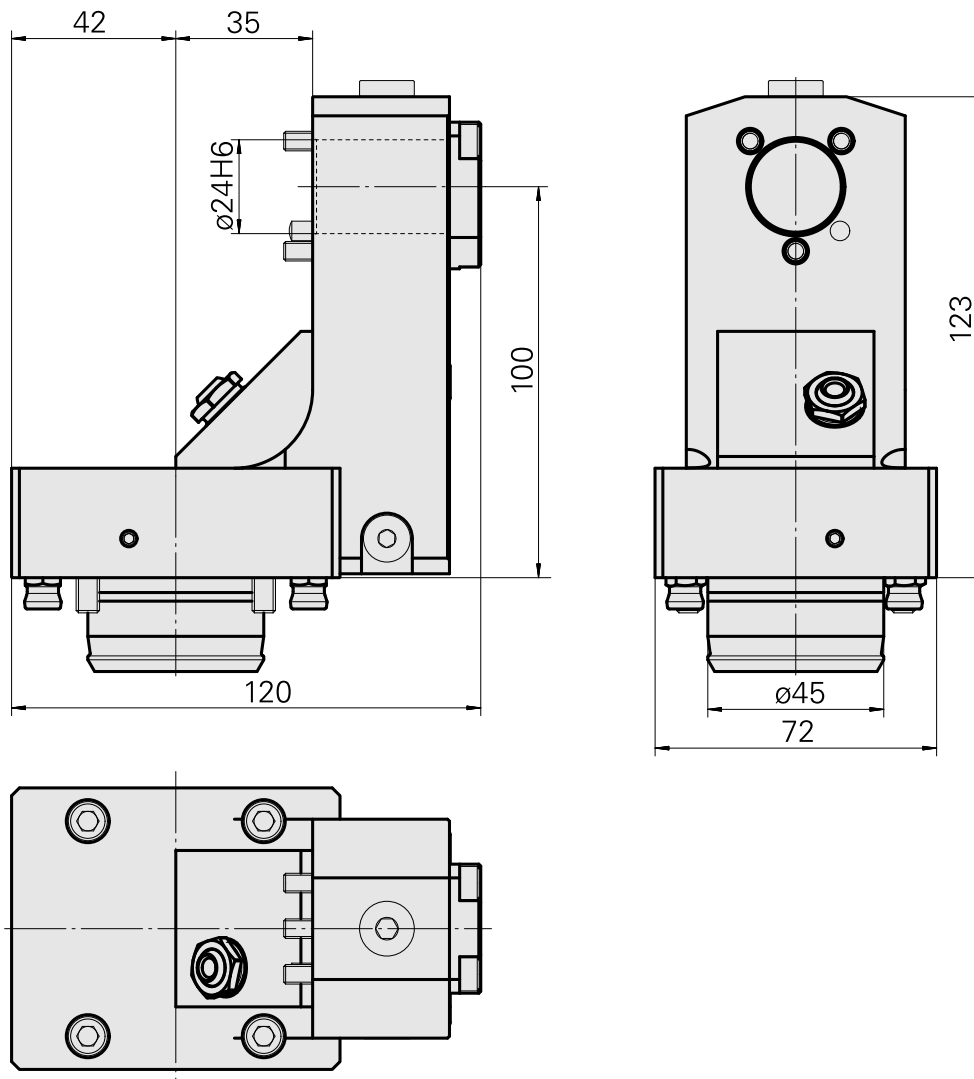
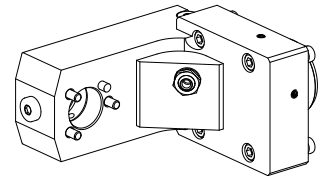


Basic holder KPS 45 D24 (0.94 ")

Technical data

Shank KPS	KPS 45
Drive	not live
Cooling	external and internal
Mounting	D24
Pressure	80 bar
X [mm]	100 (3.94")
Y [mm]	-
Z [mm]	-35 (1.38)
INDEX TRAUB products	ABC65 • TNK42/65 • TNL32-11 • TNL32



Documents

No downloads available for this product

Accessories

Optional accessories

Tool holders with compact shank

[Mount D12 \(0.47"\)](#)

Product ID : 10069528

Previous product ID : W9990530

Drive not live	Cooling internal	Mounting D12	Pressure 80 bar
X [mm] 36 (1.42")	Y [mm] –	Z [mm] –	INDEX TRAUB products ABC65 • TNK42/65 • TNL18 • TNL20 • TNL32-11 • TNL32 • TNL32-11 compact • TNL20-11 • TNL32 compact • TNK40.2-10 • TNL20.2 • TNK40.2

[Mount D16 \(0.63"\)](#)

Product ID : 10506517

Previous product ID : W9990105

Drive not live	Cooling internal	Mounting D16	Pressure 80 bar
X [mm] 36 (1.42")	Y [mm] –	Z [mm] –	INDEX TRAUB products ABC65 • TNK42/65 • TNL18 • TNL20 • TNL32-11 • TNL32 • TNL32-11 compact • TNL20-11 • TNL32 compact • TNK40.2-10 • TNL20.2 • TNK40.2

Mount D20 (0.79 ")

Product ID : 10401858

Previous product ID : W9990506

Drive not live	Cooling internal	Mounting D20	Pressure 80 bar
X [mm] 40 (1.57")	Y [mm] -	Z [mm] -	INDEX TRAUB products ABC65 • TNK42/65 • TNL18 • TNL20 • TNL32-11 • TNL32 • TNL32-11 compact • TNL20-11 • TNL32 compact • TNK40.2-10 • TNL20.2 • TNK40.2

Mount D20 (0.79 ")

Product ID : 10585914

Previous product ID : W9990577

Drive not live	Cooling internal	Mounting D20	Pressure 80 bar
X [mm] -	Y [mm] -	Z [mm] -	INDEX TRAUB products ABC65 • TNK42/65 • TNL18 • TNL20 • TNL32-11 • TNL32 • TNL32-11 compact • TNL20-11 • TNL32 compact • TNK40.2-10 • TNL20.2 • TNK40.2

Mount D25 (0.98 ")

Product ID : 10734045

Previous product ID : W9991047

Drive not live	Cooling internal	Mounting D25	Pressure 80 bar
X [mm] 52 (2.05")	Y [mm] -	Z [mm] -	INDEX TRAUB products ABC65 • TNK42/65 • TNL18 • TNL20 • TNL32-11 • TNL32 • TNL32-11 compact • TNL20-11 • TNL32 compact • TNK40.2-10 • TNL20.2 • TNK40.2

Mount ER16

Product ID : 10355081

Previous product ID : W9990346

Drive not live	Cooling internal	Mounting ER16	Pressure 80 bar
X [mm] 54 (2.13")	Y [mm] –	Z [mm] –	INDEX TRAUB products ABC65 • TNK42/65 • TNL18 • TNL20 • TNL32-11 • TNL32 • TNL32-11 compact • TNL20-11 • TNL32 compact • TNK40.2-10 • TNL20.2 • TNK40.2

Mount ER20

Product ID : 11056269

Previous product ID : W9990541

Drive not live	Cooling internal	Mounting ER20	Pressure 80 bar
X [mm] 54 (2.13")	Y [mm] –	Z [mm] –	INDEX TRAUB products ABC65 • TNK42/65 • TNL18 • TNL20 • TNL32-11 • TNL32 • TNL32-11 compact • TNL20-11 • TNL32 compact • TNK40.2-10 • TNL20.2 • TNK40.2

Mount ER25

Product ID : 10195583

Previous product ID : W9990562

Drive not live	Cooling internal	Mounting ER25	Pressure 80 bar
X [mm] 47 (1.85")	Y [mm] –	Z [mm] –	INDEX TRAUB products ABC65 • TNK42/65 • TNL18 • TNL20 • TNL32-11 • TNL32 • TNL32-11 compact • TNL20-11 • TNL32 compact • TNK40.2-10 • TNL20.2 • TNK40.2

Mount ER25

Product ID : 11072565

Previous product ID : W9990575

Drive not live	Cooling internal	Mounting ER25	Pressure 80 bar
X [mm] –	Y [mm] –	Z [mm] –	INDEX TRAUB products ABC65 • TNK42/65 • TNL18 • TNL20 • TNL32-11 • TNL32 • TNL32-11 compact • TNL20-11 • TNL32 compact • TNK40.2-10 • TNL20.2 • TNK40.2

Mount WFB 20-12

Product ID : 11070391

Previous product ID : W9990106

Drive not live	Cooling internal	Mounting WFB 20-12	Pressure 80 bar
X [mm] 19 (0.75")	Y [mm] –	Z [mm] –	INDEX TRAUB products ABC65 • TNK42/65 • TNL18 • TNL20 • TNL32-11 • TNL32 • TNL32-11 compact • TNL20-11 • TNL32 compact • TNK40.2-10 • TNL20.2 • TNK40.2

Mount WFB 32-20

Product ID : 10049618

Previous product ID : W9990578

Drive not live	Cooling internal	Mounting WFB 32-20	Pressure 80 bar
X [mm] –	Y [mm] –	Z [mm] –	INDEX TRAUB products ABC65 • TNK42/65 • TNL32-11 • TNL32

Tool holder accessories

[Coolant tube, L=100 mm \(3.93"\)](#)

Product ID : 10346684

Previous product ID : W9990559

TH accessories
category
Cooling lubricant tube

Mounting
M6

Other accessories

[Coolant Nozzle](#)

Product ID : 11031912

Previous product ID : W67500.3208

[HOLLOW SCREW M14x1 M14x1](#)

Product ID : 10105238

Previous product ID : W67530.0818

[BUSHING 10 D x 6 D x 12,5](#)

Product ID : 10670360

Previous product ID : W67530.0824

[Nozzle M6 mit D1,6](#)

Product ID : 10147428

Previous product ID : W00019.0216
