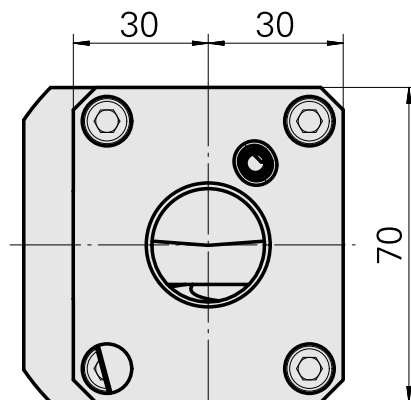
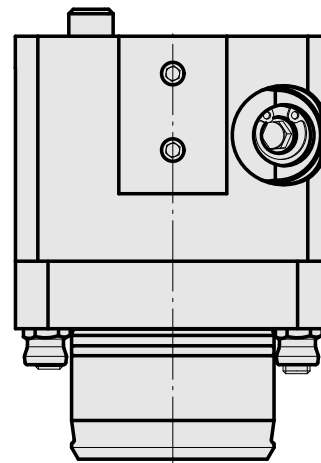
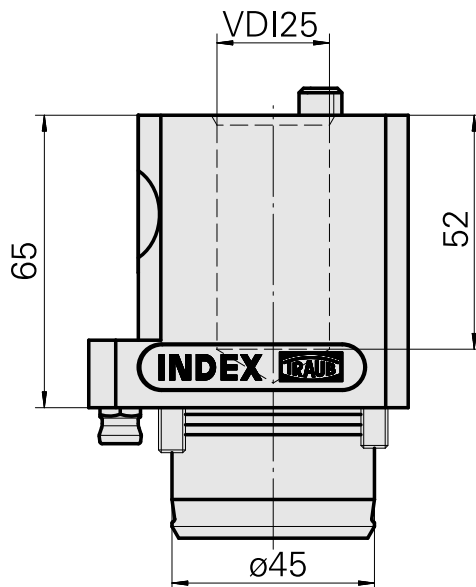
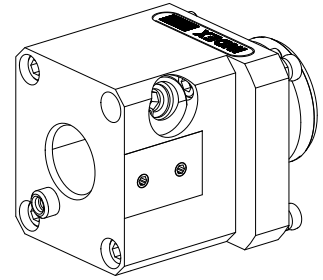


## Compensation holder KPS 45 VDI 25

### Technical data

Shank KPS	KPS 45
Drive	not live
Cooling	internal
Mounting	VDI 25
Pressure	80 bar
reversible 180°	no
X [mm]	65 (2.56")
Y [mm]	-
Z [mm]	-
INDEX TRAUB products	ABC65 • TNK42/65



## **Documents**

No downloads available for this product